

4/14/86  
4/7/86  
N002  
03-305120

approved  
4/7/86 Kay Hodges

# PERMIT

P 36700  
A 24169

SEWAGE DISPOSAL SYSTEM

MARYLAND STATE DEPARTMENT OF HEALTH

HOWARD COUNTY  
BUREAU OF ENVIRONMENTAL HEALTH  
992-2330X  
461-9933

ELLICOTT CITY  
DISTRICT 3rd  
DATE 3/26/86

INDEXED

Timothy M. Moylan IS PERMITTED TO INSTALL  ALTER

ADDRESS 1603 Edmondson Avenue, Catonsville, MD 21223 PHONE 788-3166

SUBDIVISION Annandale ROAD 13390 Grinstead Court LOT 17

PROPERTY OWNER General Products Inc.

ADDRESS \_\_\_\_\_

IF GARBAGE GRINDER IS USED INCREASE SEPTIC TANK CAPACITY BY 50% AND ABSORPTION AREA BY 22%.

GARBAGE GRINDER? YES  NO

SEPTIC TANK CAPACITY 1250 GALLONS NUMBER OF BEDROOMS 4

110  
14  
450  
60 30  
5 7 10  
200 120

DRYWELL OR TRENCH AND TRENCH, 120 sq. ft. per bedroom. Inlet 4 feet below original grade. Bottom maximum depth 9 feet below original grade. Effective area begins at 4 feet below original grade. NOTE: If trench is used to make up absorbent area, run the trench on level ground and leave a 5 foot earth buffer between drywell and trench. No trench to exceed 100 feet in length. Trench inlet to be same as drywell, with 5 feet of stone below distribution pipe.

LOCATION: Place the drywell 55 feet from the rear (285') lot line and 50 feet from the left (230') lot line. If trench is necessary, run on contour toward back (235') lot line.

BLDG. PERMIT SIGNED  
AND RETURNED 12/14/85  
Serial #68122

PLANS APPROVED BY S. Abel DATE 1/28/86

COVER NO WORK UNTIL INSPECTED AND APPROVED.

NEITHER THE HOWARD COUNTY COUNCIL NOR THE HEALTH DEPARTMENT IS RESPONSIBLE FOR THE SUCCESSFUL OPERATION OF ANY SYSTEM.

NOTE: IF TRENCH IS USED CALL FOR INSPECTION BEFORE AND AFTER PLACING GRAVEL IN TRENCH.

NOTE: NO DRY WELL SHALL EXCEED 15 FOOT IN DIAMETER. NO ABSORPTION TRENCH TO EXCEED 100 FEET IN LENGTH.

NOTE: ALL PIPE FROM HOUSE TO SEPTIC TANK MUST BE CAST IRON OR SCHEDULE 40 PVC OR ABS.

PERMIT VOID AFTER THREE YEARS.

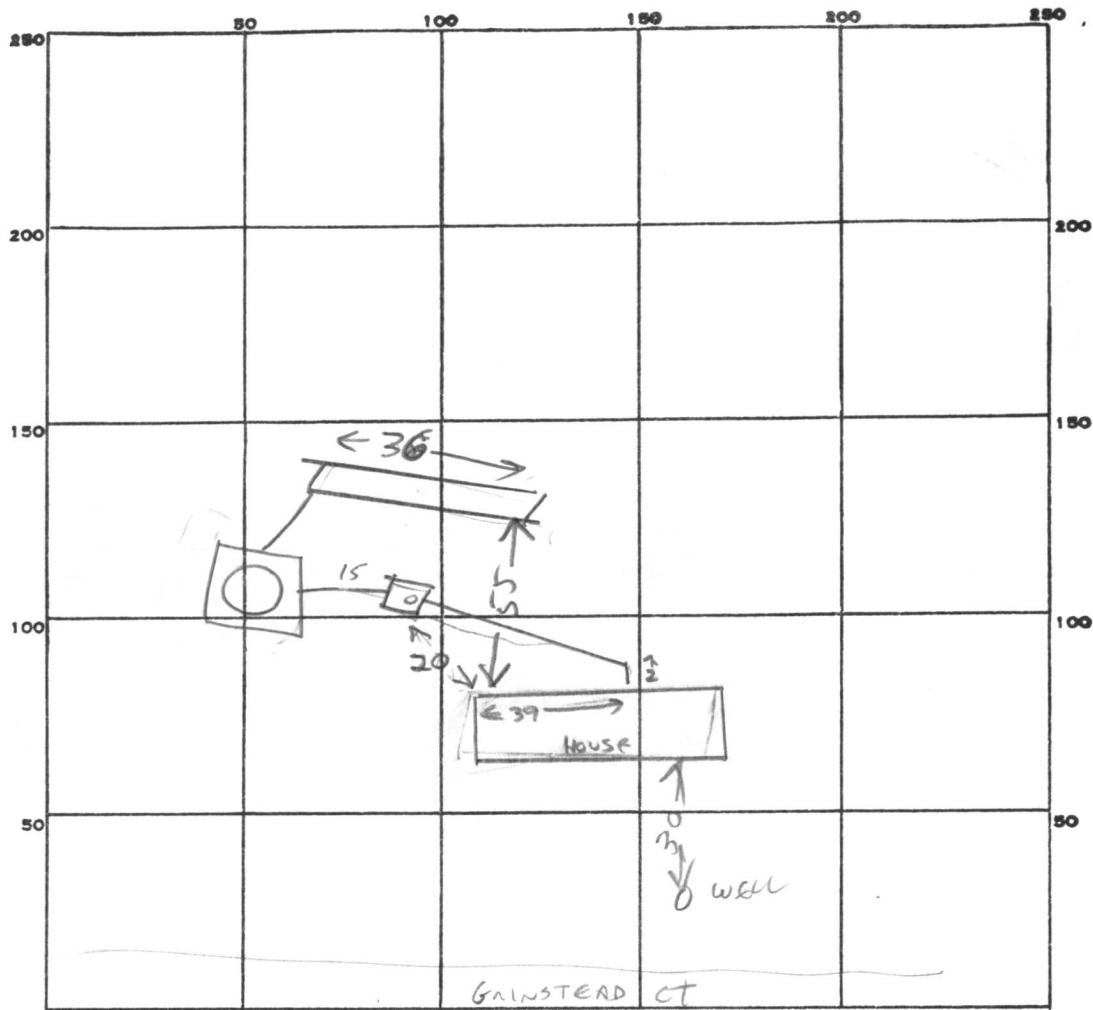
NOTE: INSTALL STAND PIPE ON SEPTIC TANK AND DRY WELL. STAND PIPES MUST BE 6 INCHES IN DIAMETER CAST IRON, CONCRETE OR TERRA COTTA, OR PVC OR ABS ACCEPTED. IF TOP OF SEPTIC TANK IS DEEPER THAN 3 FEET MANHOLE TO GRADE REQUIRED.

**\*INSTALLER IS RESPONSIBLE FOR OBTAINING FINAL APPROVAL ON THIS PERMIT**

\*CALL 992-2330 FOR INSPECTION OF SEPTIC SYSTEMS.

EH - 2-1082

A 24169



INDICATE NORTH. - NAME ADJOINING ROADWAY AS BASE LINE.

PERMIT CARD  \_\_\_\_\_  
 SEPTIC TANK, LEVEL  \_\_\_\_\_ CLEANOUTS ST | DW  
OK | OK  
 DISTRIBUTION BOX, LEVEL N/A \_\_\_\_\_

TILE FIELD, DEPTH 9 FT. TRENCH WIDTH 2 FT.

GRAVEL DEPTH 6.5 IN. TOTAL LENGTH 36 FT.  
 NUMBER OF TRENCHES 3 ONE SIDEWALK TOTAL BOTTOM AREA 198

Dry well  
 SEEPAGE PITS, INSIDE DIAMETER 15x15 = 60 FT. DEPTH BELOW INLET 5 FT.

ABSORBENT AREA 300 SQ. FT. TOTAL ABS AREA

36  
 5.5  
 180  
 180  
 360

REMARKS 4/4/86 OK TO ADD STONE TO TRENCH, ALL PLUMBING CONNECTIONS  
NEED TO BE CEMENTED. CURELIGN

4/4/86 CONNECTIONS OK, DW OK. OK TO BACKFILL EVERYTHING EXCEPT TRENCH, CW

4/7/84 4x120 = 480 SPT REQUIRED  
300 + 198 = 498 SPT INSTALLED

DATE SYSTEM APPROVED 4/7/86 INSPECTOR Raymond Hodger

# APPLICATION

A 24169

SEWAGE DISPOSAL TESTING

P \_\_\_\_\_

STATE OF MARYLAND - DEPARTMENT OF HEALTH AND MENTAL HYGIENE

HOWARD COUNTY HEALTH DEPARTMENT  
ENVIRONMENTAL HEALTH SERVICES  
P. O. BOX 476, ELLICOTT CITY, MARYLAND 21043  
TELEPHONE: 465-5000, EXT. 356

DISTRICT 3rd

DATE 9/21/76

TO: THE COUNTY HEALTH OFFICER  
ELLICOTT CITY, MARYLAND

I, HEREBY, APPLY FOR THE NECESSARY TEST IN ORDER TO CONSTRUCT (OR RECONSTRUCT) A SEWAGE DISPOSAL SYSTEM.

PROPERTY OWNER Fred James Pipes

ADDRESS 13555 Old Frederick Rd. Sykesville, Md. 21784 PHONE \_\_\_\_\_

PROPERTY LOCATION:

SUBDIVISION Annandale LOT NO. 12

ROAD AND DESCRIPTION Grinstead Ct.

SIZE OF LOT 41,000 sq. ft. TYPE BLDG. 3 or 4

NUMBER OF BEDROOMS

IF NOT SINGLE RESIDENCE DESCRIBE single family dwelling

THE SYSTEM INSTALLED UNDER THIS APPLICATION IS ACCEPTABLE ONLY UNTIL PUBLIC FACILITIES BECOME AVAILABLE.

SIGNATURE OF APPLICANT /s/ Fred James Pipes

APPROVED BY \_\_\_\_\_ FOR \_\_\_\_\_ DATE \_\_\_\_\_  
(KIND OF SYSTEM)

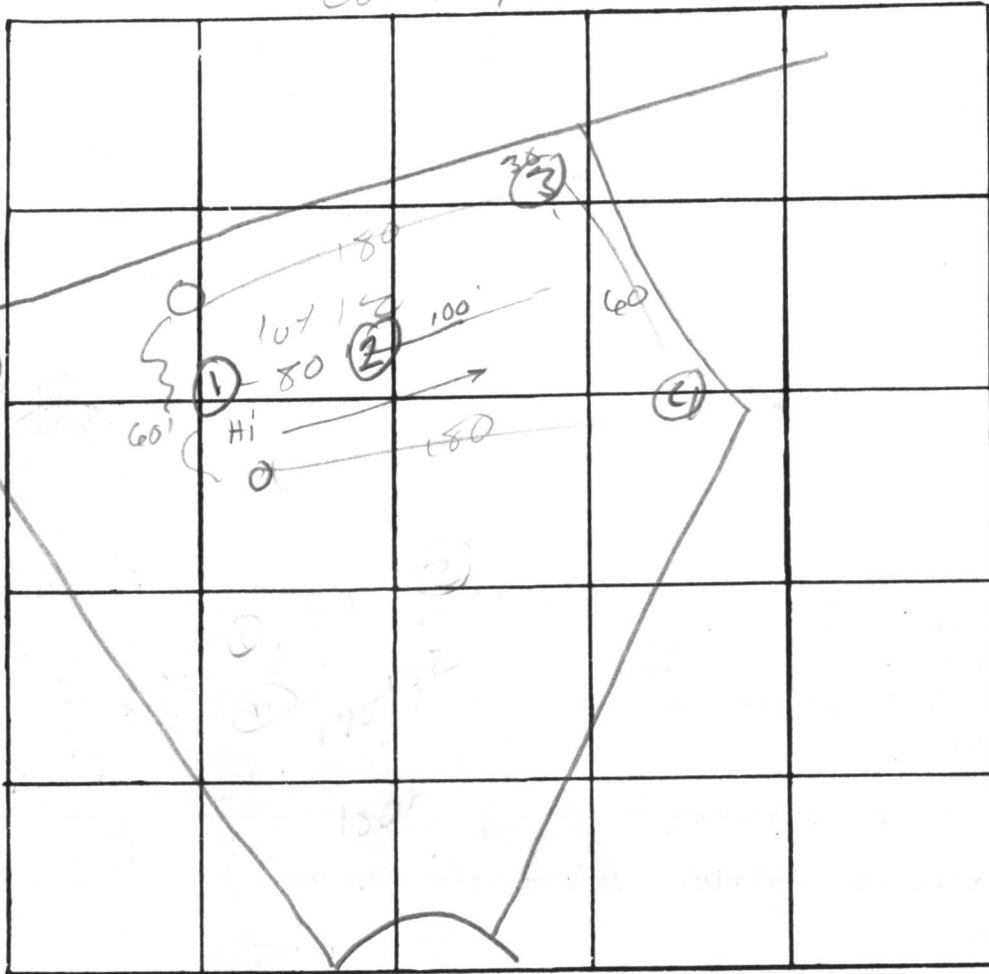
REJECTED BY \_\_\_\_\_ FOR \_\_\_\_\_ DATE \_\_\_\_\_  
(KIND OF SYSTEM)

HOLD PENDING FURTHER TESTS \_\_\_\_\_ DATE \_\_\_\_\_

REASONS FOR REJECTION OR HOLDING \_\_\_\_\_

# THIS IS NOT A PERMIT

Lot 12,



INDICATE NORTH. - NAME ADJOINING ROADWAY AS BASE LINE.

①  
Clay 3  
Clay + sand 14

②  
Clay 3  
Sandy Clay

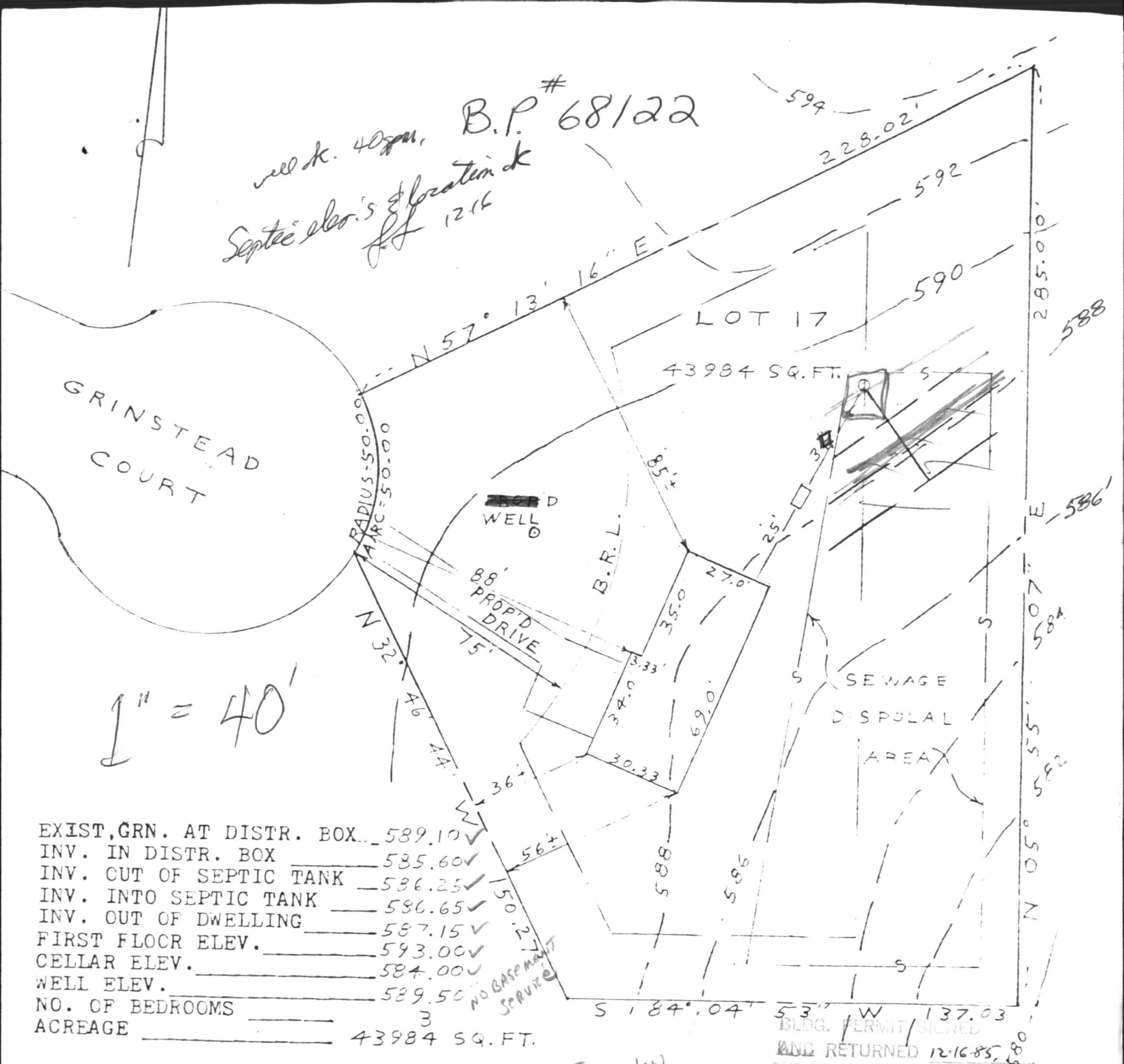
③  
Clay 3  
Sandy

④  
Clay 2 1/2  
Sandy

DATE	TEST NO.	DEPTH	PRE-WET		TEST - 1" DROP		TIME
			START	STOP	START	STOP	
10/15	1 s	5'	1139	1144	1144	1151	7
	d	14'	1139	1150	1150	1157	7
	2	4	1148	1152	1152	1156	4
	2 d	13	1144	1147	1147	1155	8
	3 d	4	1146	1150	1150	1154	4
	3 d	13	1147	1149	1149	1153	4
	4 d	12	Visual				
	4 d		1147				

REMARKS \_\_\_\_\_  
 TYPE OF SOIL \_\_\_\_\_  
 TESTED BY Mon RAB ALSO PRESENT: \_\_\_\_\_

well k. 40' m. B.P. # 68122  
 Septic elev. 5' of location k  
 J.J. 12/16



1" = 40'

EXIST. GRN. AT DISTR. BOX	589.10	✓
INV. IN DISTR. BOX	585.60	✓
INV. OUT OF SEPTIC TANK	586.25	✓
INV. INTO SEPTIC TANK	586.65	✓
INV. OUT OF DWELLING	587.15	✓
FIRST FLOOR ELEV.	593.00	✓
CELLAR ELEV.	584.00	✓
WELL ELEV.	589.50	✓
NO. OF BEDROOMS	3	
ACREAGE	43984 SQ. FT.	

NO BASEMENT SERVICE

BLDG. PERMIT SIGNED AND RETURNED 12-16-85, 580

INLET 3.5'-4" below GRADE

**PLOT PLAN**  
 LOT 17, GRINSTEAD COURT  
 ANNANDALE SECTION 2  
 PLAT NO. 3873  
 ELECTION DISTRICT 3

HOWARD COUNTY MD.

SCALE: 1" = 40'

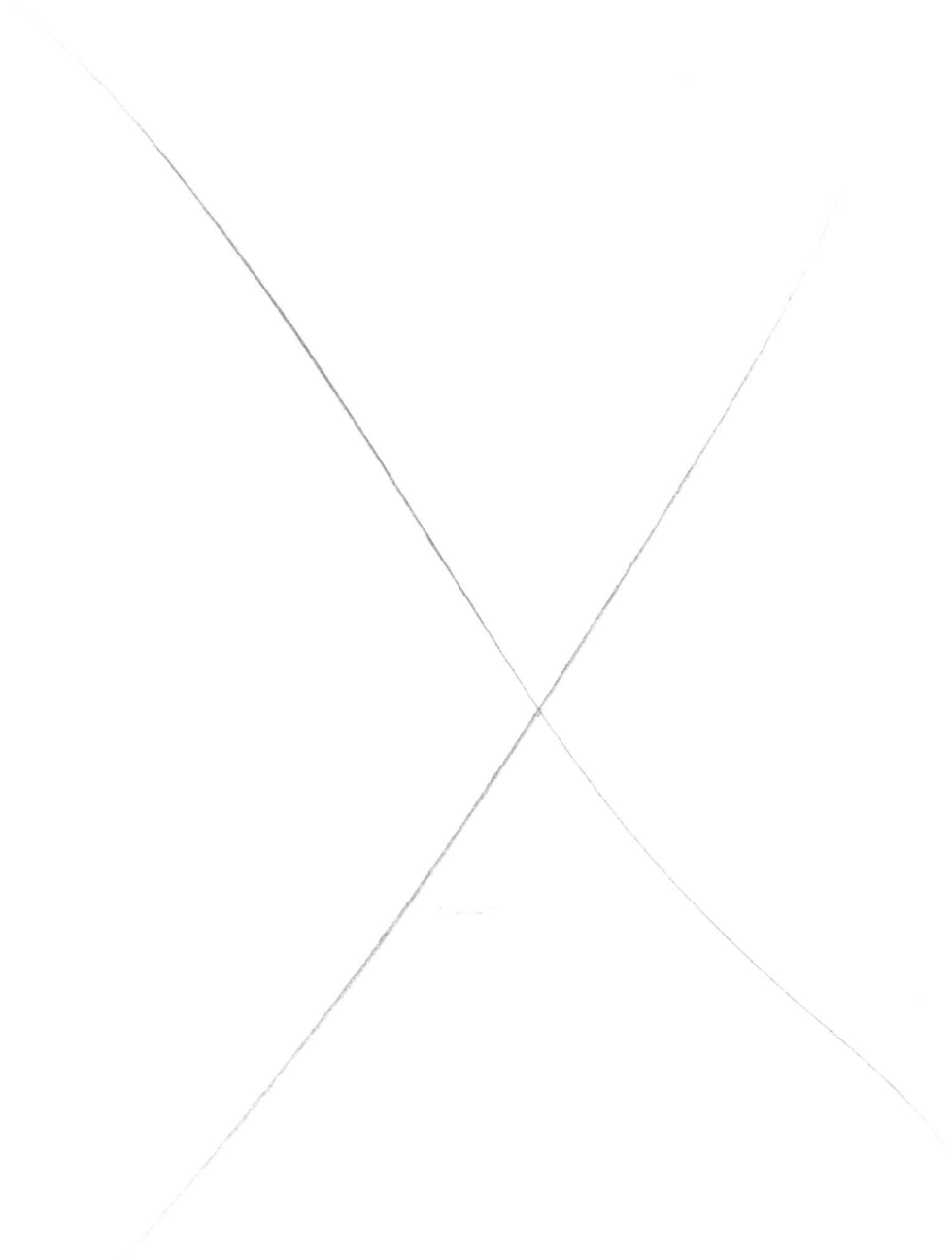
DRAWN: NOVEMBER 12, 1985

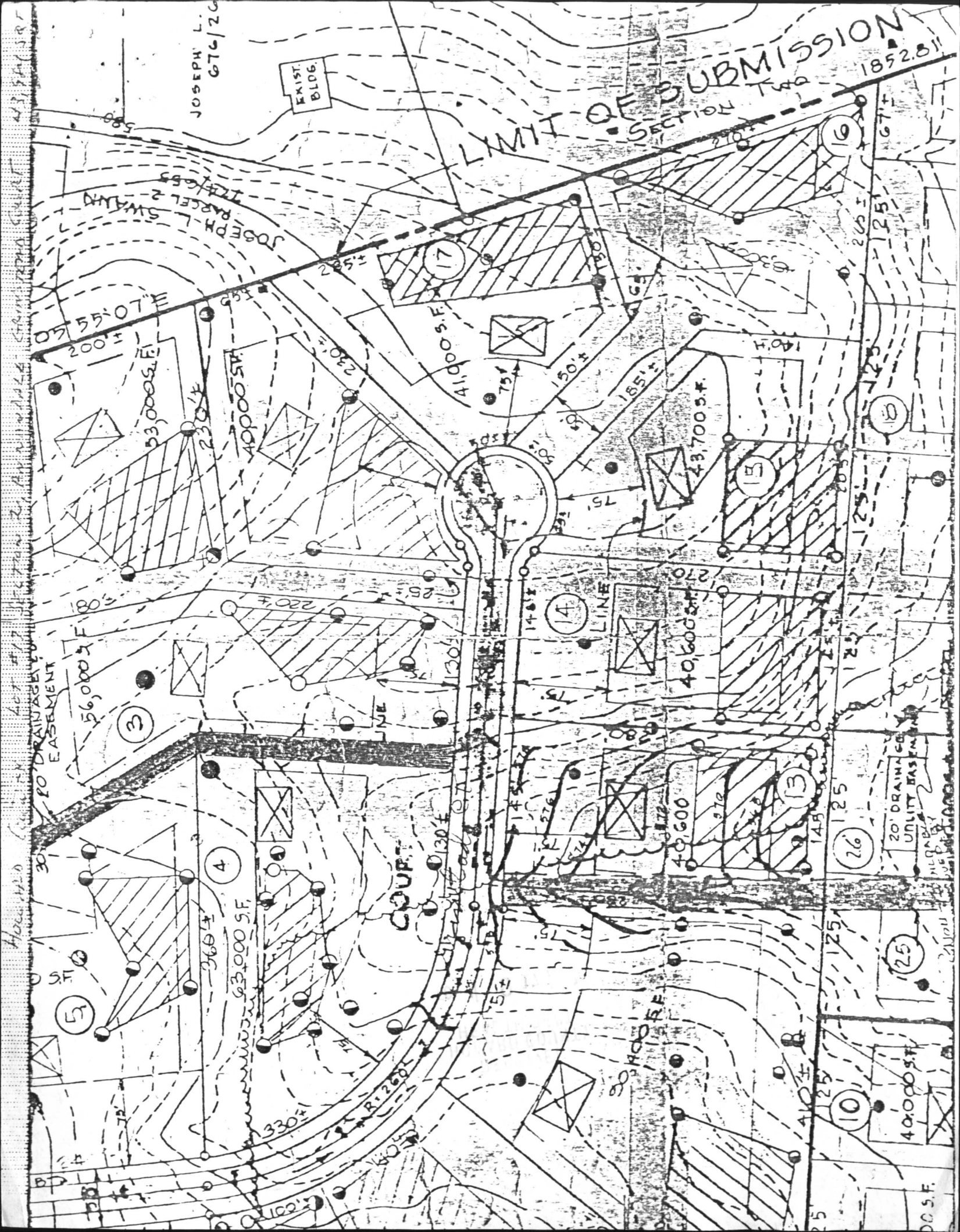


RECEIVED  
HOWARD COUNTY  
HEALTH DEPT.

6 4 9 17 AM '8

DIVISION OF  
ENVIRONMENTAL  
HEALTH





JOSEPH L. SWAIN  
676/20

EXIST.  
BLDG.

LIMIT OF SUBMISSION  
SECTION TWO  
1892.811

JOSEPH L. SWAIN  
PARCEL 2 SWAIN  
TRACT 65

55° 07' E  
200' ±

53,000 SF

40,000 SF

41,900 SF

43,700 SF

56,000 SF

220' ±

LINE

LINE

40,600 SF

63,000 SF

COURT

40,600 SF

40,600 SF

40,600 SF

20' DRAINAGE  
UTILITY BASEMENT

40,000 SF

40,000 SF

RECEIVED  
HOWARD COUNTY  
HEALTH DEPT.

DEC 4 9 17 AM '84

DIVISION OF  
ENVIRONMENTAL  
HEALTH