

6/29/78
OK please
for the
OK

7/7/78 if possible

Approved 7/7/78 (GLK)

PERMIT

U+O
issued
7/14/78

P 28126

A 26029

SEWAGE DISPOSAL SYSTEM

MARYLAND STATE DEPARTMENT OF HEALTH*

HOWARD COUNTY

ELLICOTT CITY

INDEXED

DISTRICT 3rd

DATE 6/1/78

1004

Albert Scheel IS PERMITTED TO INSTALL X ALTER

ADDRESS _____ PHONE _____

SUBDIVISION Friendship Manor ROAD Wellworth Way LOT 7

PROPERTY OWNER Scheel

ADDRESS _____

SPECIFICATIONS 3 bedrooms

SEPTIC TANK CAPACITY 1000 GALLONS

DRAIN FIELD _____ DEPTH _____ FEET. BOTTOM AREA _____ SQ. FT.

DEEP TRENCH _____ DEPTH _____ FEET. BOTTOM AREA _____ SQ. FT.

SEEPAGE PITS _____ ABSORBENT SIDE-WALL AREA _____ SQ. FT.

INLET PIPE _____ FT. BELOW ORIGINAL GRADE. MAXIMUM DEPTH _____ FT. BELOW ORIGINAL GRADE

EFFECTIVE DEPTH AT _____ FT. BELOW ORIGINAL GRADE.

LOCATE DISPOSAL AREA _____ FT. FROM _____ LOT LINE AND _____ FT. FROM _____ LOT LINE AS SEEN WHEN FACING LOT FROM

TRENCHES-2 trenches at 55 ft. long each with the inlet 2 ft. and maximum depth 6 ft.

Run trenches on contour to right rear of house starting 20 to 40 ft. away from corner.

PLANS APPROVED BY David J. O'Neill DATE 4/27/78

COVER NO WORK UNTIL INSPECTED AND APPROVED.

NEITHER THE HOWARD COUNTY COUNCIL NOR THE HEALTH DEPARTMENT IS RESPONSIBLE FOR THE SUCCESSFUL OPERATION OF ANY SYSTEM.

NOTE: IF TRENCH IS USED CALL FOR INSPECTION BEFORE PLACING GRAVEL IN TRENCH.

NOTE: NO DRY WELL SHALL EXCEED 15 FOOT IN DIAMETER.

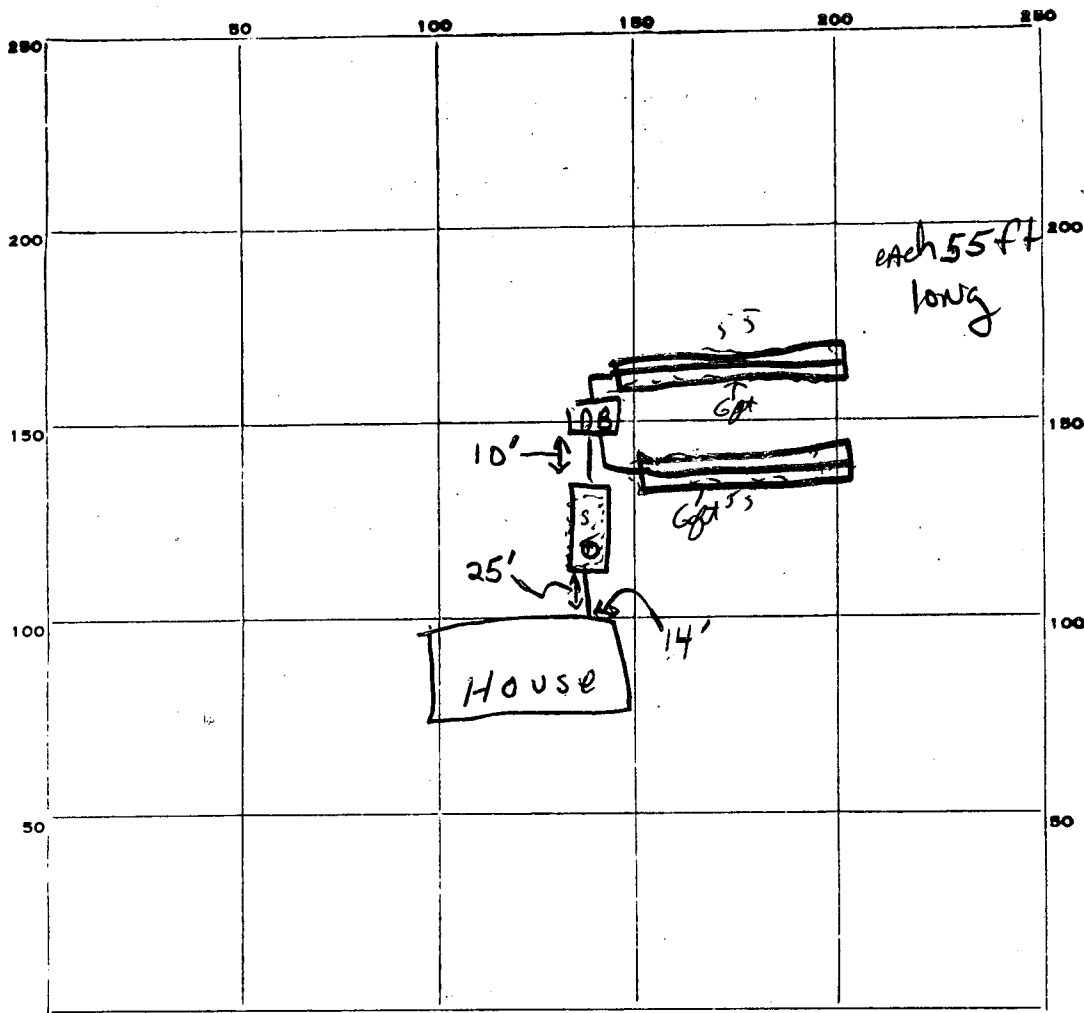
NOTE: ALL PIPE FROM HOUSE TO DISPOSAL AREA MUST BE CAST IRON.

PERMIT VOID AFTER THREE YEARS.

NOTE: INSTALL STAND PIPE ON SEPTIC TANK AND DRY WELL. STAND PIPES MUST BE 6 INCHES IN DIAMETER. CAST IRON, CONCRETE OR TERRAZO ACCEPTED.

***INSTALLER IS RESPONSIBLE FOR OBTAINING FINAL APPROVAL ON THIS PERMIT.**

A 26029



INDICATE NORTH. - NAME ADJOINING ROADWAY AS BASE LINE.

Wallworth Way

PERMIT CARD NP

ST ^D terra cotta

SEPTIC TANK, LEVEL

CLEANOUTS

DISTRIBUTION BOX, LEVEL

TILE FIELD, DEPTH 6 FT. TRENCH WIDTH 2 FT.

GRAVEL DEPTH 4 ft IN. TOTAL LENGTH 110 FT.

NUMBER OF TRENCHES 2 TOTAL ^{SW} BOTTOM AREA 440

SEEPAGE PITS, INSIDE DIAMETER _____ FT. DEPTH BELOW INLET _____ FT.

ABSORBENT AREA _____ SQ. FT.

REMARKS 6-29-78 install DB box off ST. OK to put gravel in trenches
 made sure inlet to trench is 2ft below orig. grade. call for final
 insp when job is complete done

7 July 78 Cover all work **GUC**

DATE SYSTEM APPROVED 7 July 78

INSPECTOR G Keller

APPLICATION

A 26029

SEWAGE DISPOSAL TESTING

P _____

STATE OF MARYLAND - DEPARTMENT OF HEALTH AND MENTAL HYGIENE

3rd

HOWARD COUNTY HEALTH DEPARTMENT
ENVIRONMENTAL HEALTH SERVICES
P. O. BOX 476, ELLICOTT CITY, MARYLAND 21043
TELEPHONE: 465-5000, EXT. 356

DISTRICT _____

DATE 6/7/77

TO: THE COUNTY HEALTH OFFICER
ELLICOTT CITY, MARYLAND

I, HEREBY, APPLY FOR THE NECESSARY TEST IN ORDER TO CONSTRUCT (OR RECONSTRUCT) A SEWAGE DISPOSAL SYSTEM.

PROPERTY OWNER William B. Ridgely

ADDRESS Spring Meadow Farm Cooksville, Md. 21728 PHONE Carol Clark
531-5115

PROPERTY LOCATION: Friendship Manor
SUBDIVISION Ridgely Property LOT NO. 7

ROAD AND DESCRIPTION Rte. 144 - Rte. 32

SIZE OF LOT ? TYPE BLDG. 3 or 4 bedroom
NUMBER OF BEDROOMS

IF NOT SINGLE RESIDENCE DESCRIBE _____

THE SYSTEM INSTALLED UNDER THIS APPLICATION IS ACCEPTABLE ONLY UNTIL PUBLIC FACILITIES BECOME AVAILABLE.

SIGNATURE OF APPLICANT /s/ Albert Scheel

APPROVED BY RM FOR AW & Trend DATE 6-30-77
(KIND OF SYSTEM)

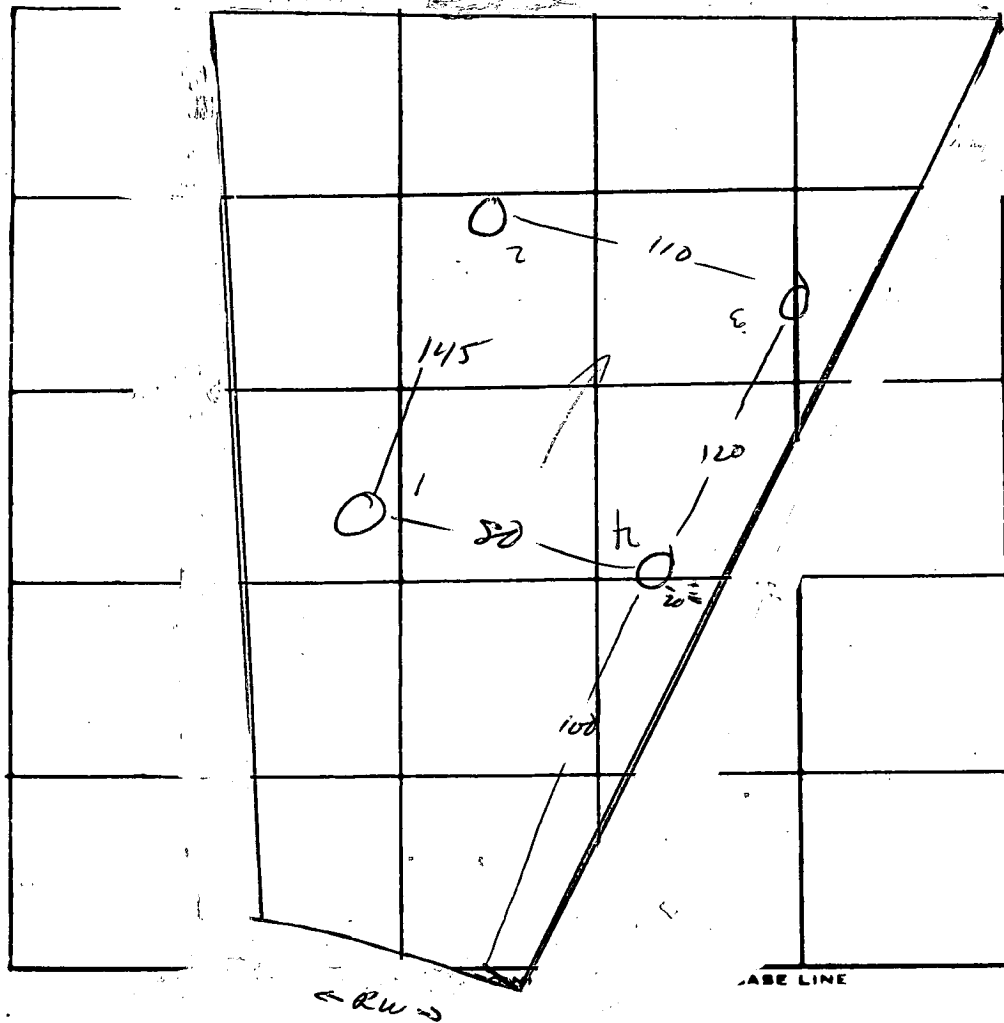
REJECTED BY _____ FOR _____ DATE _____
(KIND OF SYSTEM)

HOLD PENDING FURTHER TESTS _____ DATE _____

REASONS FOR REJECTION OR HOLDING _____

BLDG. PERMIT SIGNED
AND RETURNED 3/21/78
serial # 35091

THIS IS NOT A PERMIT



217

DATE	TEST NO.	DEPTH	PRE-WET		TEST - 1" DROP		TIME
			START	STOP	START	STOP	
30/10/77	1	2	10 ¹²	10 ¹⁴	10 ¹⁴	10 ¹⁷	3
	1A	13	10 ¹²	10 ¹⁶	10 ¹⁶	10 ²²	6
	2	2	10 ¹³	10 ¹⁵	10 ¹⁵	10 ¹⁹	4
	2A	13	10 ¹³	10 ¹⁶	10 ¹⁶	10 ²²	6
	3	2	10 ¹⁴	10 ¹⁶	10 ¹⁶	10 ²⁰	4
	3A	12 1/2	10 ¹⁴	10 ¹⁸	10 ¹⁸	10 ²⁶	8
	4	13	vi's	dry			

REMARKS _____

TYPE OF SOIL Sandy loam

TESTED BY M ALSO PRESENT: School

1-5684
 SEQUENCE NO. (WRA USE ONLY)
 1 2 3 (SEQ. NO.) 6
 (THIS NUMBER IS TO BE PUNCHED IN COLS. 3-6 ON ALL CARDS)

STATE OF MARYLAND
 WATER RESOURCES ADMINISTRATION
 TAWES STATE OFFICE BLDG., ANNAPOLIS, MD. 21401
 WELL COMPLETION REPORT

THIS REPORT MUST BE SUBMITTED WITHIN 30 DAYS AFTER WELL COMPLETION
 FILL IN THIS FORM COMPLETELY
 COUNTY NUMBER

DATE RECEIVED (WRA USE ONLY) 3/1/78
 DATE WELL COMPLETED 3/1/78
 DEPTH OF WELL 160 (TO NEAREST FOOT)
 PERMIT NO. FROM "PERMIT TO DRILL WELL" 40-73-2569
 DRILLERS IDENTIFICATION NO. 42

OWNER SHEL ST CLAIR PT
 LAST NAME FIRST NAME
 STREET OR RFD Box 127 POST OFFICE WEST FRIENDSHIP, MD.

WELL LOG

STATE THE KIND OF FORMATIONS PENETRATED, THEIR COLOR, DEPTH, THICKNESS AND IF WATER BEARING

DESCRIPTION (USE ADDITIONAL SHEETS IF NECESSARY)	FEET		CHECK IF WATER BEARING
	FROM	TO	
TOP SOIL	0	2	
SHALE	2	10	
SANDSTONE	10	55	
BROWN SLATE	55	85	
MICA	85	160	

GROUTING RECORD

WELL HAS BEEN GROUTED (CIRCLE APPROPRIATE BOX) YES NO

TYPE OF GROUTING MATERIAL (CIRCLE BOX) CEMENT BENTONITE CLAY

NO. OF BAGS 40 NO. OF POUNDS 1000

GALLONS OF WATER 50

DEPTH OF GROUT SEAL (TO NEAREST FOOT) FROM 0 FT. TO 40 FT.

CASING RECORD

INSERT APPROPRIATE CODE BELOW

STEEL CONCRETE

PLASTIC OTHER

MAIN CASING TYPE ST NOMINAL DIAMETER TOP (MAIN) CASING OF MAIN CASING (NEAREST INCH) 6 TOTAL DEPTH OF MAIN CASING (NEAREST FOOT) 58

OTHER CASING (IF USED)

DIAMETER (INCH) DEPTH (FEET) FROM TO

SCREEN RECORD

INSERT APPROPRIATE CODE BELOW

STEEL BRASS OR BRONZE OPEN HOLE

PLASTIC OTHER

DEPTH (NEAREST WHOLE FOOT)

FROM 56 TO 160

SCREEN TYPE OR OPEN HOLE HO

DIAMETER OF SCREEN 56 (NEAREST INCH) FROM 56 TO 60

CIRCLE APPROPRIATE BOXES

A A WELL WAS ABANDONED AND SEALED WHEN THIS WELL WAS COMPLETED.

E ELECTRIC LOG OBTAINED

P TEST WELL CONVERTED TO PRODUCTION WELL

I HEREBY CERTIFY THAT I HAVE COMPLIED WITH ALL CONDITIONS STATED ON THE ABOVE-CAPTIONED "PERMIT TO DRILL WELL", AND THAT INFORMATION CONTAINED IN THIS REPORT IS TRUE, ACCURATE, AND COMPLETE TO THE BEST OF MY KNOWLEDGE, INFORMATION AND BELIEF.

DRILLERS NAME L. F. EASTGARDAY

SIGNATURE J. D. Eastgarday

PUMPING TEST

HOURS PUMPED (TO NEAREST HOUR) 2

PUMPING RATE (GALLONS PER MINUTE TO NEAREST GALLON) 5

METHOD USED TO MEASURE PUMPING RATE BUCKET

WATER LEVEL: (DISTANCE FROM LAND SURFACE) BEFORE PUMPING 60 (NEAREST FOOT)

WHEN PUMPING 160 (NEAREST FOOT)

TYPE OF PUMP USED (CIRCLE APPROPRIATE BOX) AIR PISTON TURBINE

CENTRIFUGAL ROTARY OTHER (DESCRIBE BELOW)

JET SUBMERSIBLE

PUMP INSTALLED

TYPE OF PUMP (WRITE APPROPRIATE LETTER IN BOX - SEE ABOVE: A, C, J, P, R, S, T, O)

DRILLER WILL INSTALL PUMP (CIRCLE APPROPRIATE BOX) YES NO

CAPACITY: GALLONS PER MINUTE (TO NEAREST GALLON) 31 35

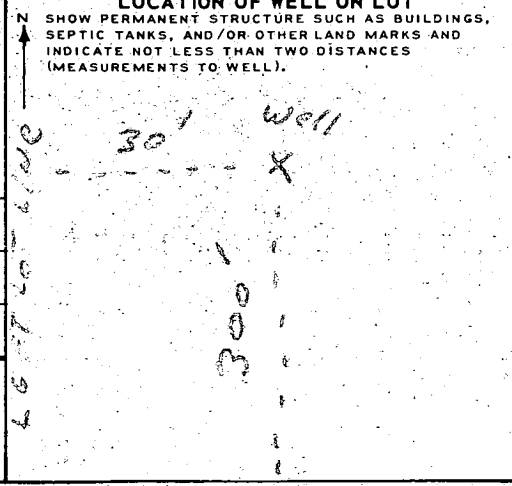
PUMP HORSE POWER 37 41

PUMP COLUMN LENGTH (NEAREST FOOT) 43 47

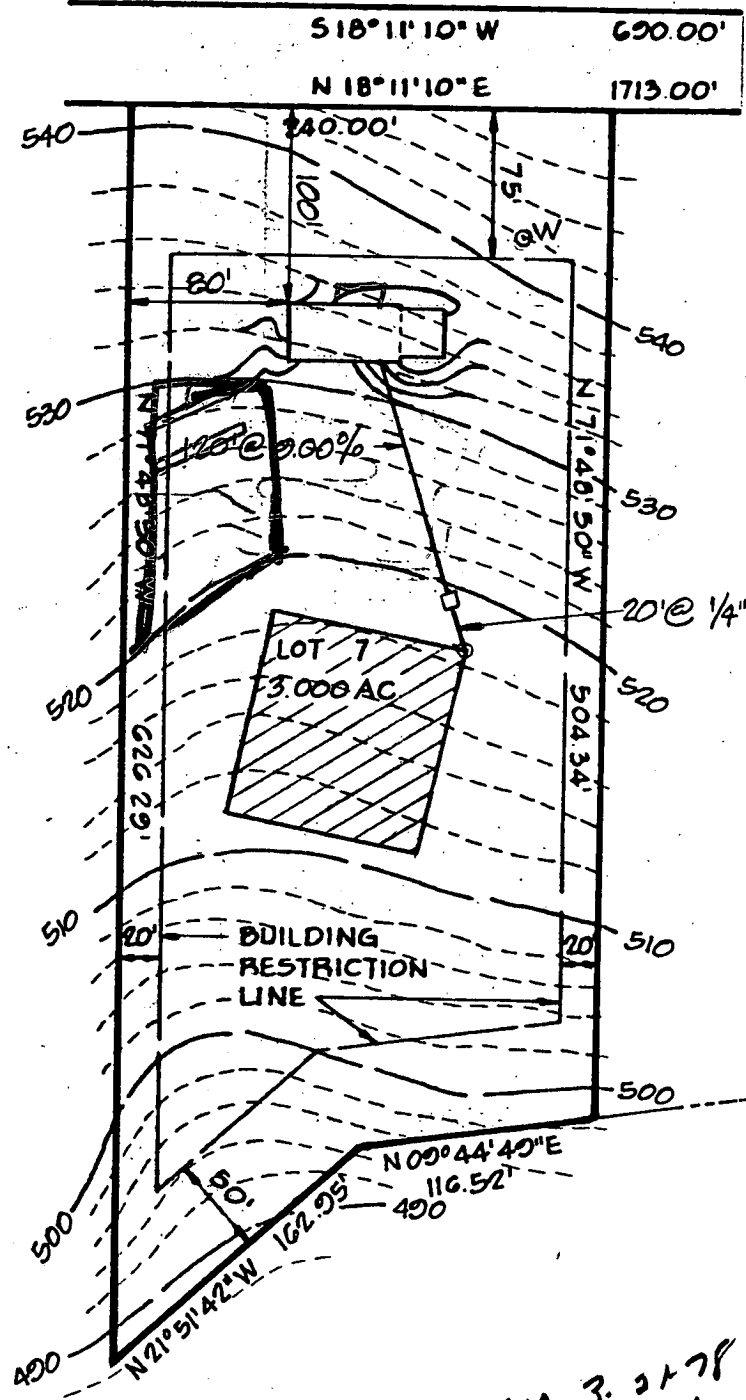
CASING HEIGHT (CIRCLE APPROPRIATE BOX AND ENTER CASING HEIGHT)

ABOVE BELOW

LAND SURFACE 2 (NEAREST FOOT)



WELLWORTH WAY



NOTE: Topography shown hereon is based on Howard County Aerial Topography Maps. The Contractor is to set grades in the field.

HOUSE:	
F.F. ELEV.	538.8
BSMT. ELEV.	529.5
INV. OUT	527.5
SEPTIC TANK:	
EX. GRADE	519.0
PROP. GRADE	519.0
INV. IN.	516.7
INV. OUT	516.4
DRYWELL:	
EX. GRADE	519.0
PROP. GRADE	519.0
INV. IN	516.0
WELL:	
EX. GRADE	542.0
PROP. GRADE	542.0

3. 2178

TITLE GRADING STUDY			
PROJECT FRIENDSHIP MANOR - SECTION 2 - LOT 7			
LOCATION THIRD ELECTION DISTRICT - HOWARD COUNTY, MARYLAND			
DATE: FEB. 15, 1978	DESIGN BY: RM-----	DRAWN BY: DMR	CHECKED BY: RM
SCALE: 1" = 100'	JOB NO.: 7768	DRAWING NO.: 1	

boender associates

engineers
surveyors
planners