

PUB. SEWER STATUS VERIFIED BY BB

ISSUE DATE: 3/18/2011

PERMIT

P 534516

APPROVAL DATE: 4/27/2011

A REPAIR

Septic Repair ON-SITE SEWAGE DISPOSAL SYSTEM HOWARD COUNTY HEALTH DEPARTMENT BUREAU OF ENVIRONMENTAL HEALTH

Fogle's Septic Clean Inc. IS PERMITTED TO INSTALL ALTER

ADDRESS: 580 Obrecht Road Sykesville, MD 21784 PHONE NUMBER: 410-796-5670

SUBDIVISION: _____ LOT NUMBER: _____

ADDRESS: 2716 Jennings Chapel Road PROPERTY OWNER: Marianne Lafever

SEPTIC TANK CAPACITY (GALLONS): N/A

PUMP CHAMBER CAPACITY (GALLONS): _____

NUMBER OF BEDROOMS: 3

SQUARE FEET OF HOUSE: _____

LINEAR FEET OF TRENCH REQUIRED: 180'

*3' Wide
Inlet 5'
Bottom 9'
3x60' Trenches*

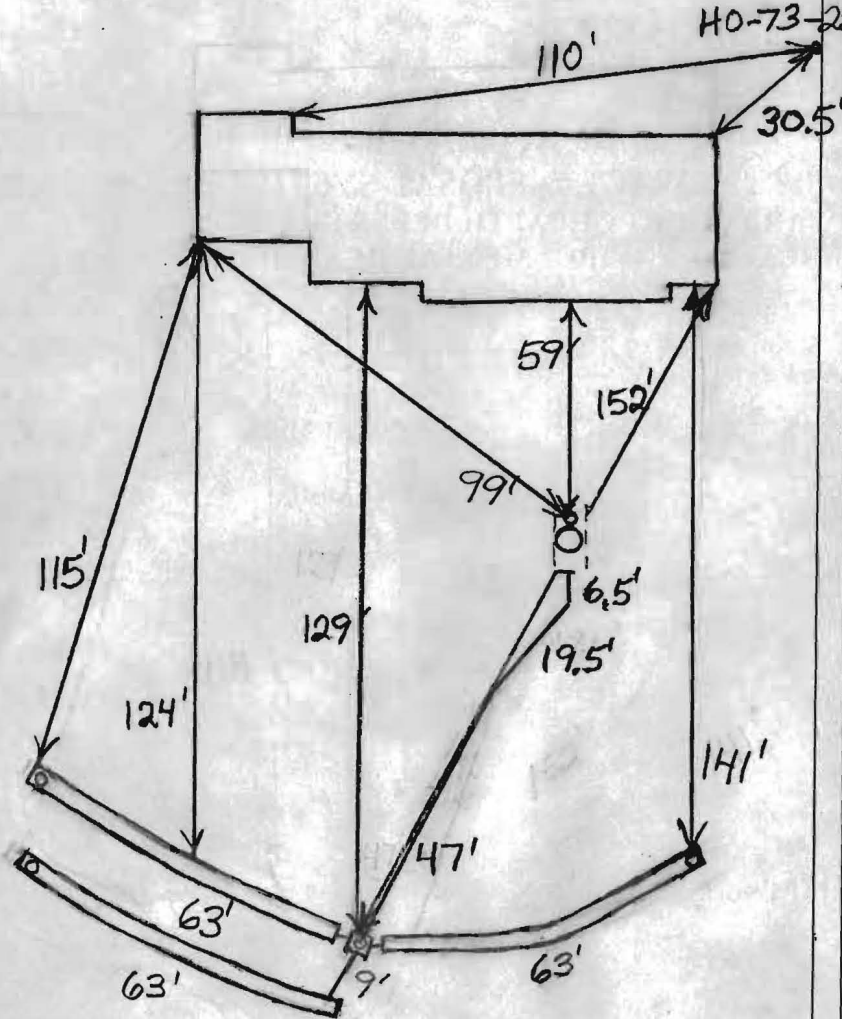
TRENCHES:	
LOCATION:	
PURPOSE:	

PLANS APPROVED: B. Baber DATE: 3/28/2011

- NOTE: PERMIT VOID AFTER 2 YEARS
- NOTE: CONTRACTOR RESPONSIBLE FOR SCHEDULING A PRE-CONSTRUCTION INSPECTION FOR ALL INSTALLATIONS
- NOTE: WATERTIGHT SEPTIC TANKS REQUIRED
- NOTE: ALL PARTS OF SEPTIC SYSTEM SHALL BE 100 FEET FROM ANY WATER WELL
- NOTE: MANHOLE RISERS REQUIRED ON ALL SEPTIC TANKS AND PUMP CHAMBERS

NEITHER THE HOWARD COUNTY COUNCIL OR THE HEALTH DEPARTMENT IS RESPONSIBLE FOR THE SUCCESSFUL OPERATION OF ANY SYSTEM PERMITTEE RESPONSIBLE FOR OBTAINING FINAL APPROVAL ON THIS PERMIT CALL 410-313-1771 FOR INSPECTION OF SEPTIC SYSTEM

NOT TO SCALE



ROAD NAME

TRENCH/DRAINFIELD DATA

WIDTH	INLET	BOTTOM
3'	4'-5"	9'
NUMBER OF TRENCHES 3		
TOTAL LENGTH 189'		
ABSORPTION AREA 567		
DISTRIBUTION BOX LEVEL Levelers		
DISTRIBUTION BOX BAFFLE Yes		
DISTRIBUTION BOX PORT Yes		

SEPTIC TANK DATA

SEPTIC TANK 1 LEVEL	Yes
MANUFACTURER	ACME
CAPACITY	1000? GAL
SEAM LOC	Midseam
TANK LID DEPTH	25'-3'
BAFFLES	Yes
BAFFLE FILTER	No
MANHOLE LOC	Middle
6" PORT LOC	Front
WATERTIGHT TEST	No
SLOTTED	No
DATE ON LID	No
PUMP/SEPTIC TANK LEVEL N/A	
MANUFACTURER _____	
CAPACITY _____ GAL	
SEAM LOC _____	
TANK LID DEPTH _____	
BAFFLES _____	
BAFFLE FILTER _____	
MANHOLE LOC _____	
6" PORT LOC _____	
WATERTIGHT TEST _____	
SLOTTED _____	
DATE ON LID _____	

PRE-CONSTRUCTION:

3/28/2011 Install three 60' trenches on contour in area of holes (A) + (B). Keep trenches as high as possible. Pump out and fill drywell with dirt. A manhole riser should be installed on the tank. (B) 4/27/2011 System installed. Drywell pumped out and filled with dirt. (B)

INSTALLATION:

FINAL INSPECTOR B. Baker. DATE OF APPROVAL 4/27/2011