



HOWARD COUNTY HEALTH DEPARTMENT

Arp 523587

DATE
11 / 1 / 2015

Received From Fyock Systems, Inc. PHONE # 410-531-2137
PO Box 89, Woodbury MD 21737

For Payment Report
12256 Woodspang Ct. - Woodmark

- CASH
 CHECK

NO.

1606 Three hundred thirty and 00/100 Dollars

\$

330

Received By

Mary L Buggie

UNION COUNTY HEALTH DEPARTMENT



PHONE #

Received From

CASH
 CHECK

NO.

Received by

Signature box

PUB. SEWER STATUS VERIFIED BY _____

ISSUE DATE: 11/1/2005

P 523587

APPROVAL DATE: 12/21/05

A REPAIR

PERMIT

ON-SITE SEWAGE DISPOSAL SYSTEM HOWARD COUNTY HEALTH DEPARTMENT BUREAU OF ENVIRONMENTAL HEALTH

Fyock Septic Service, Inc. IS PERMITTED TO INSTALL ALTER

ADDRESS: PO Box 89, Glenelg PHONE NUMBER: 410-988-9270

SUBDIVISION: Woodmark LOT NUMBER: 3, Bl B

ADDRESS: 12256 Woodspurge Court PROPERTY OWNER: Fernando DeLeon

SEPTIC TANK CAPACITY (GALLONS):	<u>Existing</u>	<u>Trenches 2' Wide</u>
PUMP CHAMBER CAPACITY (GALLONS):	<u>N/A</u>	<u>Inlet 5'</u>
NUMBER OF BEDROOMS:	<u>4?</u>	<u>Bottom 11'</u>
SQUARE FEET PER BEDROOM:	<u>210</u>	<u>6' Stone Below Pipe</u>
LINEAR FEET OF TRENCH REQUIRED:	<u>113</u>	<u>2-55' to 60' Trenches</u>

TRENCHES:	Trench to be _____ feet wide. Inlet _____ feet below original grade. Bottom maximum depth _____ feet below original grade. Effective area begins at _____ feet below original grade. _____ feet of stone below distribution pipe.
LOCATION:	
PURPOSE:	Existing septic system has failed. Call for inspection when ground is opened so sanitarian can recommend repair.

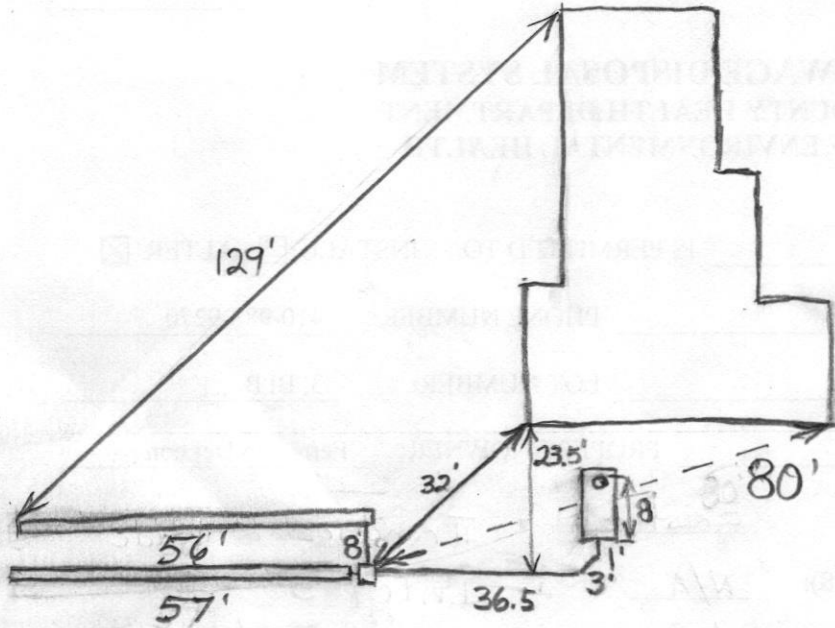
PLANS APPROVED: _____ DATE: _____

- NOTE: PERMIT VOID AFTER 2 YEARS
- NOTE: CONTRACTOR RESPONSIBLE FOR SCHEDULING A PRE-CONSTRUCTION INSPECTION FOR ALL INSTALLATIONS
- NOTE: WATERTIGHT SEPTIC TANKS REQUIRED
- NOTE: ALL PARTS OF SEPTIC SYSTEM SHALL BE 100 FEET FROM ANY WATER WELL
- NOTE: MANHOLE RISERS REQUIRED ON ALL SEPTIC TANKS AND PUMP CHAMBERS

NEITHER THE HOWARD COUNTY COUNCIL OR THE HEALTH DEPARTMENT IS RESPONSIBLE FOR THE SUCCESSFUL OPERATION OF ANY SYSTEM PERMITTEE RESPONSIBLE FOR OBTAINING FINAL APPROVAL ON THIS PERMIT CALL 410-313-2640 FOR INSPECTION OF SEPTIC SYSTEM

4517320

NOT TO SCALE



TRENCH/DRAINFIELD DATA		
WIDTH	INLET	BOTTOM
2'	5'	11'
NUMBER OF TRENCHES		2
TOTAL LENGTH		113'
ABSORPTION AREA		
DISTRIBUTION BOX LEVEL		Leveler
DISTRIBUTION BOX BAFFLE		Yes
DISTRIBUTION BOX PORT		No

SEPTIC TANK DATA	
SEPTIC TANK 1 LEVEL	
CAPACITY	_____ GAL
SEAM LOC	Midseam
TANK LID DEPTH	0.5-1.5
BAFFLES	Yes
BAFFLE FILTER	No
MANHOLE LOC	None
6" PORT LOC	Front
WATERTIGHT TEST	No
SEPTIC TANK 2 LEVEL N/A	
CAPACITY	_____ GAL
SEAM LOC	_____
TANK LID DEPTH	_____
BAFFLES	_____
BAFFLE FILTER	_____
MANHOLE LOC	_____
6" PORT LOC	_____
WATERTIGHT TEST	_____

ROAD

PRE-CONSTRUCTION 11/30/05 Place distribution box near edge of woods and install 2 - 55' to 60' trenches on contour

INSTALLATION uphill of perc test hole. Pump out and fill in drywell. BB 12/21/05 Drywell pumped out and filled in. System finished. O.K. to cover. BB

FINAL INSPECTOR B. Baker

DATE OF APPROVAL 12/21/05