

PERMIT

SEWAGE DISPOSAL SYSTEM

DEPARTMENT OF HEALTH AND MENTAL HYGIENE

P 49498

A 41667

DISTRICT _____

DATE 08/04/93

DATE SYSTEM APPROVED 1/11/94

INSPECTOR ALM

HOWARD COUNTY HEALTH DEPARTMENT

BUREAU OF ENVIRONMENTAL HEALTH

313-2640

INDEXED

6006

Harrison Contracting

IS PERMITTED TO INSTALL X ALTER _____

ADDRESS 2898 Flag Marsh Road, Mt. Airy, Maryland 21771 PHONE 410-795-8691

SUBDIVISION Robert Jenkins Property LOT 9 ROAD 431 Woodbine Road

PROPERTY OWNER Dave Riddle

ADDRESS _____

SEPTIC TANK CAPACITY 1250 GALLONS

PUMP SYSTEM REQUIRED

Install: 1-1000 gal pump chambers with single effluent pump and alarm.

NUMBER OF BEDROOMS 4

Contractor to supply pump detail prior to issuance of septic permit.

240 SQUARE FEET PER BEDROOM

LINEAR FEET OF TRENCH REQUIRED 320

TRENCHES - Trench to be 3 feet wide. Inlet 1 1/2 feet below original grade. Bottom maximum depth 3 1/2 feet below original grade. Effective area begins at 1 1/2 feet below original grade. 2 feet of stone below distribution pipe.

LOCATION - Place distribution box 125 feet from rear lot line and 10 feet from right lot line. Run trenches along contour toward left side of property.

NOTES - No trench to exceed 100 feet in length. Provide 6" - 8" diameter cleanout and cap to grade or above on septic tank. OK MR 8/2/93

PUMP INSTALLATION NOT TO PROCEED UNTIL PRIOR APPROVAL MR/CLW

PLANS APPROVED BY C. Williams DATE 5/24/93

COVER NO WORK UNTIL INSPECTED AND APPROVED

NEITHER THE HOWARD COUNTY COUNCIL NOR THE HEALTH DEPARTMENT IS RESPONSIBLE FOR THE SUCCESSFUL OPERATION OF ANY SYSTEM

NOTE: CLEANOUT REQUIRED EVERY 70 FEET OF SEWER LINE AND/OR AT 90° SWEEPS IN LINES FROM HOUSE TO DRAIN FIELDS, 90° ELBOWS NOT ACCEPTABLE.

NOTE: ALL PARTS OF SEPTIC SYSTEMS (I.E. TANK, DISTRIBUTION BOX TRENCHES) TO BE 100 FEET FROM WELL (UNLESS OTHERWISE SPECIFICALLY AUTHORIZED)

NOTE: IF DEEP TRENCH(ES) ARE USED CALL FOR INSPECTION BEFORE AND AFTER PLACING GRAVEL IN TRENCH(ES)

NOTE: NO DRY WELL SHALL EXCEED 15 FOOT IN DIAMETER NO ABSORPTION TRENCH TO EXCEED 100 FEET IN LENGTH

NOTE: ALL PIPE FROM HOUSE TO SEPTIC TANK MUST BE CAST IRON OR SCHEDULE 35/40 PVC OR ABS

PERMIT VOID AFTER TWO YEARS

NOTE: INSTALL STAND PIPE ON SEPTIC TANK AND DRY WELL STAND PIPES MUST BE 6 INCHES IN DIAMETER CAST IRON. CONCRETE OR TERRA COTTA OR PVA OR ABS ACCEPTED. IF TOP OF SEPTIC TANK IS DEEPER THAN 3 FEET. MANHOLE TO GRADE REQUIRED.

NOTE: DISTRIBUTION BOXES MUST HAVE BAFFLES

CLDQ. PERMIT SIGNED

AND RETURNED 5-27-98

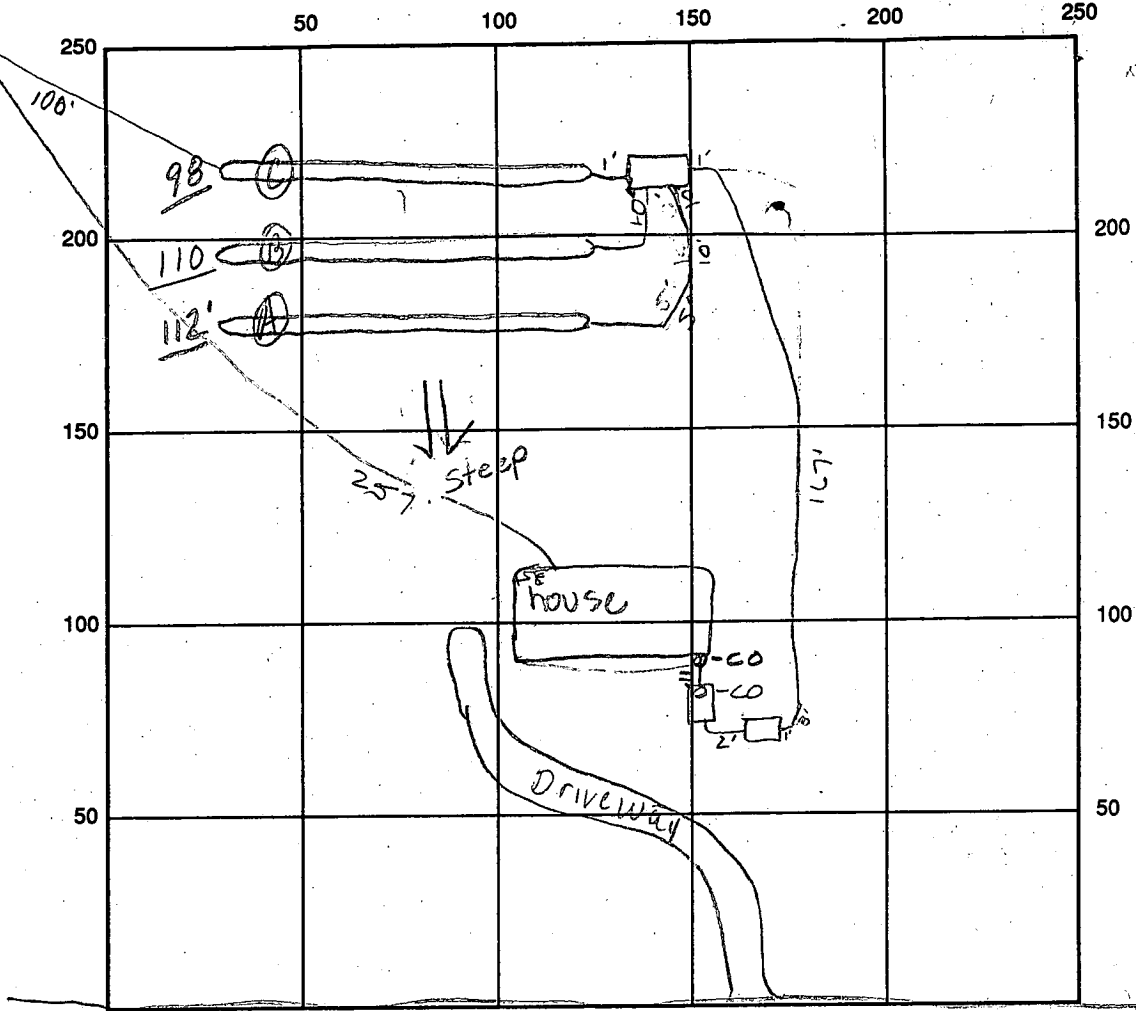
Serial # 210111772

2-congrat

*INSTALLER IS RESPONSIBLE FOR OBTAINING FINAL APPROVAL ON THIS PERMIT

A 41667

HD-92-0366
well



INDICATE NORTH - NAME ADJOINING ROADWAY AS BASE LINE
WOODBINE RD

SEPTIC TANK LEVEL OK 1250gal pump tank OK CLEANOUTS OK
1250gal

DISTRIBUTION BOX LEVEL OK baffle is in

DRAIN FIELD/TITLE DEPTH 3 1/2 FT. TRENCH WIDTH 3 FT. INLET DEPTH 1 1/2 FT.

EFFECTIVE GRAVEL DEPTH 2 FT. TOTAL LENGTH 320 FT. A) 112'
B) 110'
C) 98'

NUMBER OF TRENCHES 3 ONE SIDEWALL/BOTTOM AREA 960 SQ. FT.

DRYWALL INSIDE DIAMETER FT. EFFECTIVE DEPTH BELOW INLET FT.

ABSORBENT AREA 960 SQ. FT.

REMARKS: 9/29/93 OK to cover trench A & B. Leave C open and DB ARM

9/30/93 OK to cover final materials on site (2 pieces of pipe left to lay)

Welds WPI insp. HLM

need to see sewage pump in operation before final approval.

1/10/94 Sewage pump test - working properly ARM

DATE SYSTEM APPROVED 1/11/94 INSPECTOR A. M. Mullen

APPLICATION

PERCOLATION TESTING

A 41667

P _____

HOWARD COUNTY HEALTH DEPARTMENT
BUREAU OF ENVIRONMENTAL HEALTH
P.O. BOX 476 ELLICOTT CITY, MARYLAND 21043
TELEPHONE: 461-9933

DISTRICT 474

DATE 5-6-88

Handwritten notes in a box:
during the test
Perc. Satisfactory
Sewer system is in good
condition. No water in
the trench. No gas or
other objectionable
odors. No insects or
other pests observed.
The test was conducted
in accordance with the
M.O.S.H.A. requirements.
The test was performed
by _____ on _____ 1988.

TO: THE COUNTY HEALTH OFFICER
ELLICOTT CITY, MARYLAND

I, HEREBY, APPLY FOR THE NECESSARY TEST IN ORDER TO CONSTRUCT (OR RECONSTRUCT) A SEWAGE DISPOSAL SYSTEM.

PROPERTY OWNER MRS. Robert Jenkins DAVE RIDDLE

ADDRESS RT 6 Box 536, Bedford PA. PHONE 814-623-8091

REALTOR PROSPECTIVE BUYER John Martin / Shannon & Luchs

ADDRESS 14440 Cherry Ln Ct, Laurel, MD PHONE 301-498-8000

PROPERTY LOCATION:

SUBDIVISION Woodbine LOT NO. 9

ROAD AND DESCRIPTION RT 94, 1.2 miles North of RT 70, property located behind
421 Woodbine Rd. 431 Woodbine Rd.

TAX MAP 003 PARCEL # 0034

BLDG. PERMIT SIGNED
AND RETURNED

SIZE OF LOT 1.54 acre TYPE BLDG N/A
(SINGLE FAMILY DWELLING OR COMMERCIAL)

THE SYSTEM INSTALLED UNDER THIS APPLICATION IS ACCEPTABLE ONLY UNTIL PUBLIC FACILITIES BECOME AVAILABLE. I FULLY UNDERSTAND THE FEE CONNECTED WITH THE FILING OF THIS PERC TEST APPLICATION IS NON-REFUNDABLE UNDER ANY CIRCUMSTANCES. I ALSO AGREE TO COMPLY WITH ALL M.O.S.H.A. REQUIREMENTS IN TESTING THIS LOT.

Signature of Elsie D. Jenkins
(SIGNATURE OF APPLICANT)

APPROVED BY _____ FOR _____ DATE _____

REJECTED BY _____ FOR _____ DATE _____

HOLD PENDING FURTHER TESTS _____ DATE _____

REASONS FOR REJECTION OR HOLDING Perc Satisfactory; hold for (certified) notes / houses well location.

Shallow Syst only, S. Al-

BLDG. PERMIT SIGNED
AND RETURNED 7/6/88
Serial # 49309-SFD
4 Bedford

THIS IS NOT A PERMIT

Received July 11 9:30

HD-216

50

SEQUENCE NO. (DP USE ONLY)

STATE OF MARYLAND PERMIT TO DRILL WELL please print or type

STATE PERMIT NUMBER

40-92-0366

NUMBER IS TO BE PUNCHED IN COLUMNS 3-6 ON ALL CARDS

Date Received (APA)

052193

OWNER INFORMATION

RIDDLE DAVID

121 WOODBINE RD

WOODBINE MD 21797

B 3

LOCATION OF WELL

HOWARD

23 SUBDIVISION

SECTION LOT

LISBON

MILES FROM TOWN

DRILLER INFORMATION

George F. Easterday

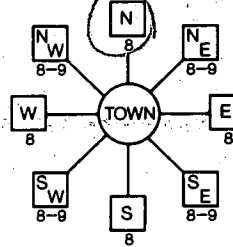
L. Franklin Easterday, Inc.

9265 Brown Church Rd., Mt. Airy, Md. 21777

George F. Easterday 5-19-93

B 4

DIRECTION OF WELL FROM TOWN



WOODBINE RD

ON WHICH SIDE OF ROAD



200

ENTER FT or MI

B 2

WELL INFORMATION

APPROX. PUMPING RATE (GAL. PER MIN.)

AVERAGE DAILY QUANTITY NEEDED (GAL. PER DAY)

USE FOR WATER (CIRCLE APPROPRIATE BOX)

- D HOME (SINGLE OR DOUBLE HOUSEHOLD UNIT ONLY)
F FARMING (LIVESTOCK WATERING & AGRICULTURAL IRRIGATION)
I INDUSTRIAL, COMMERCIAL, STATE AND FEDERAL GOV. OTHER (REQUIRES APPROPRIATION PERMIT)
P PUBLIC OR PRIVATE WATER COMPANY (REQUIRES APPROPRIATION PERMIT AND STATE HEALTH DEPARTMENT APPROVAL)
T TEST, OBSERVATION, MONITORING (MAY REQUIRE APPROPRIATION PERMIT)

NOT TO BE FILLED IN BY DRILLER HEALTH DEPARTMENT APPROVAL

Howard 491667

STATE SIGNATURE DATE ISSUED

052493

NORTH GRID 554000 EAST GRID 0772000

APPROXIMATE DEPTH OF WELL 200 FEET

APPROXIMATE DIAMETER OF WELL 6 INCH

METHOD OF DRILLING (circle one)

- Bored (or Augered) JETTED Jetted & Driven
AIR-ROTARY AIR-Percussion ROTARY (Hydraulic Rotary)
CABLE REVERSE-ROTARY Drive-POINT

REPLACEMENT OR DEEPEMED WELLS (CIRCLE APPROPRIATE BOX)

- N THIS WELL WILL NOT REPLACE AN EXISTING WELL
Y THIS WELL WILL REPLACE A WELL THAT WILL BE ABANDONED AND SEALED
S THIS WELL WILL REPLACE A WELL THAT WILL BE USED AS A STANDBY
D THIS WELL WILL DEEPEM AN EXISTING WELL

PERMIT NUMBER OF WELL TO BE REPLACED OR DEEPEMED (IF AVAILABLE)

Not to be filled in by driller (OEP USE ONLY)

APPROP. PERMIT NUMBER GAP

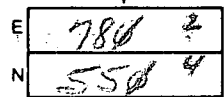
FORCE PERMIT No. 40-92-0366

SPECIAL CONDITIONS

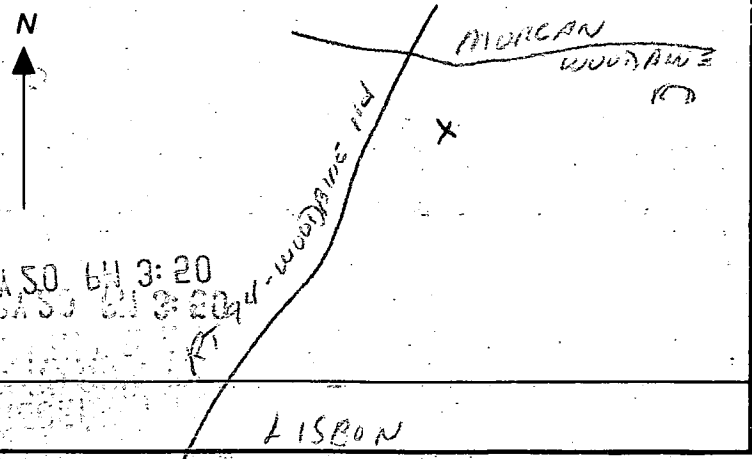
SHOW MAJOR FEATURES OF BOX & LOCATE WELL WITH AN X SOURCES OF DRILLING WATER

6/9/93 9:00 NO GROU... 40' CASING TRUCK... 35' OPEN? FAILURE... X BAGS... 18" CASING A.G. LOC OK 6/9/93 TAG OK MR

WRITE THE BOX NUMBER FROM THE MAP HERE



DRAW A SKETCH BELOW SHOWING LOCATION OF WELL IN RELATION TO NEARBY TOWNS AND ROADS AND GIVE DISTANCE FROM WELL TO NEAREST ROAD JUNCTION



C1 7640

SEQUENCE NO. (DENV USE ONLY)

STATE OF MARYLAND WELL COMPLETION REPORT

FILL IN THIS FORM COMPLETELY PLEASE PRINT OR TYPE

THIS REPORT MUST BE SUBMITTED WITHIN 45 DAYS AFTER WELL IS COMPLETED.

COUNTY NUMBER A41667

ST/CO USE ONLY DATE Received

DATE WELL COMPLETED 080993

Depth of Well 400 (TO NEAREST FOOT)

PERMIT NO. FROM "PERMIT TO DRILL WELL" 40-92-0366

OWNER RIDDICK DAVE last name first name STREET OR RFD TOWN SUBDIVISION SECTION LOT

WELL LOG Not required for driven wells

STATE THE KIND OF FORMATIONS PENETRATED, THEIR COLOR, DEPTH, THICKNESS AND IF WATER BEARING

Table with columns: DESCRIPTION (Use additional sheets if needed), FEET (FROM TO), Check if water bearing. Rows include Top Soil, Brown Slate, Blue Slate, etc.

GROUTING RECORD

WELL HAS BEEN GROUTED (Circle appropriate box) TYPE OF GROUTING MATERIAL CEMENT CM BENTONITE CLAY BC NO. OF BAGS NO. OF POUNDS DEPTH OF GROUT SEAL

CASING RECORD casing types insert appropriate code below ST CO STEEL CONCRETE PL OT PLASTIC OTHER

MAIN CASING TYPE Nominal diameter top (main) casing (nearest inch) Total depth of main casing (nearest foot)

OTHER CASING (if used) diameter inch depth (feet) from to

SCREEN RECORD screen type or open hole insert appropriate code below ST BR HO STEEL BRASS OPEN HOLE PL OT PLASTIC OTHER

DEPTH (nearest ft.) 400 399 400

CIRCLE APPROPRIATE LETTER A A WELL WAS ABANDONED AND SEALED WHEN THIS WELL WAS COMPLETED E ELECTRIC LOG OBTAINED P TEST WELL CONVERTED TO PRODUCTION WELL

I HEREBY CERTIFY THAT THIS WELL HAS BEEN CONSTRUCTED IN ACCORDANCE WITH COMAR 26.04.04 "WELL CONSTRUCTION" AND IN CONFORMANCE WITH ALL CONDITIONS STATED IN THE ABOVE CAPTIONED PERMIT...

DRILLERS IDENT. NO. 40

DRILLERS SIGNATURE Bruce Thompson

SITE SUPERVISOR (sign. of driller or journeyman responsible for sitework if different from permittee)

SLOT SIZE 1 2 3 DIAMETER OF SCREEN (NEAREST INCH)

GRAVEL PACK IF WELL DRILLED WAS FLOWING WELL INSERT F IN BOX 68

OEP USE ONLY (NOT TO BE FILLED IN BY DRILLER) T (E.R.O.S.) W Q TELESCOPE CASING LOG INDICATOR OTHER DATA

PUMPING TEST

HOURS PUMPED (nearest hour) 6 PUMPING RATE (gal. per min. to nearest gal.) 31 METHOD USED TO MEASURE PUMPING RATE Bucket WATER LEVEL (distance from land surface) BEFORE PUMPING WHEN PUMPING TYPE OF PUMP USED (for test) A air P piston T turbine C centrifugal R rotary O other (describe below) J jet S submersible

PUMP INSTALLED

DRILLER WILL INSTALL PUMP YES NO IF DRILLER INSTALLS PUMP, THIS SECTION MUST BE COMPLETED FOR ALL WELLS EXCEPT HOME USE TYPE OF PUMP INSTALLED PLACE (A,C,J,P,R,S,T,O) IN BOX - SEE ABOVE: CAPACITY: GALLONS PER MINUTE (to nearest gallon) PUMP HORSE POWER PUMP COLUMN LENGTH (nearest ft.) CASING HEIGHT (circle appropriate box and enter casing height) LAND SURFACE

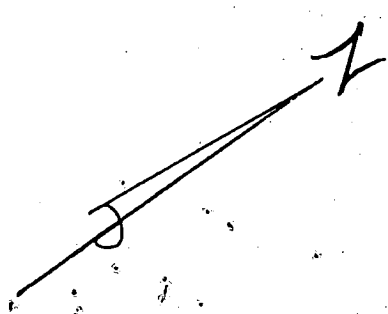
LOCATION OF WELL ON LOT SHOW PERMANENT STRUCTURE SUCH AS BUILDING, SEPTIC TANKS, AND/OR LANDMARKS AND INDICATE NOT LESS THAN TWO DISTANCES (MEASUREMENTS TO WELL)

William E. Doyle

500 FT. ± to
MD. ROUTE 94

LAND SURVEYOR 8440

5312 EMERALD DRIVE SYKESVILLE, MARYLAND 21784 PHONE (301) 795-2210



GRAVEL DRIVE, S 35° W 120.0'

PERCOLATION TEST PLAT

WOODBINE ROAD
LIBER: 2183 FOLIO: 408
PARCEL 34
TAX MAP 3
ELECTION DISTRICT
HOWARD COUNTY, MD.

SINGLE EFFLUENT
PUMP
1000 GAL.
ELEV: 397.10

PUMP PIT

PROP. D
DWLG.

B.P. # 49309
DAVE RIDDLE

- ⊕ - DENOTES, PERC. HOLE FOUND
- - DENOTES, PERC. HOLE PER HEALTH DEPT. NOTES

SCALE: 1" = 50'

DRAWN: JUNE 18, 1993

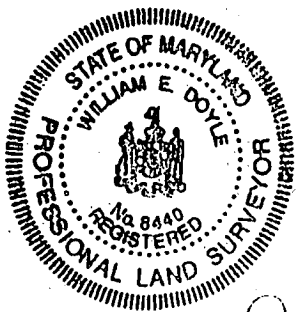
FILE NO. 925-4

Trench length

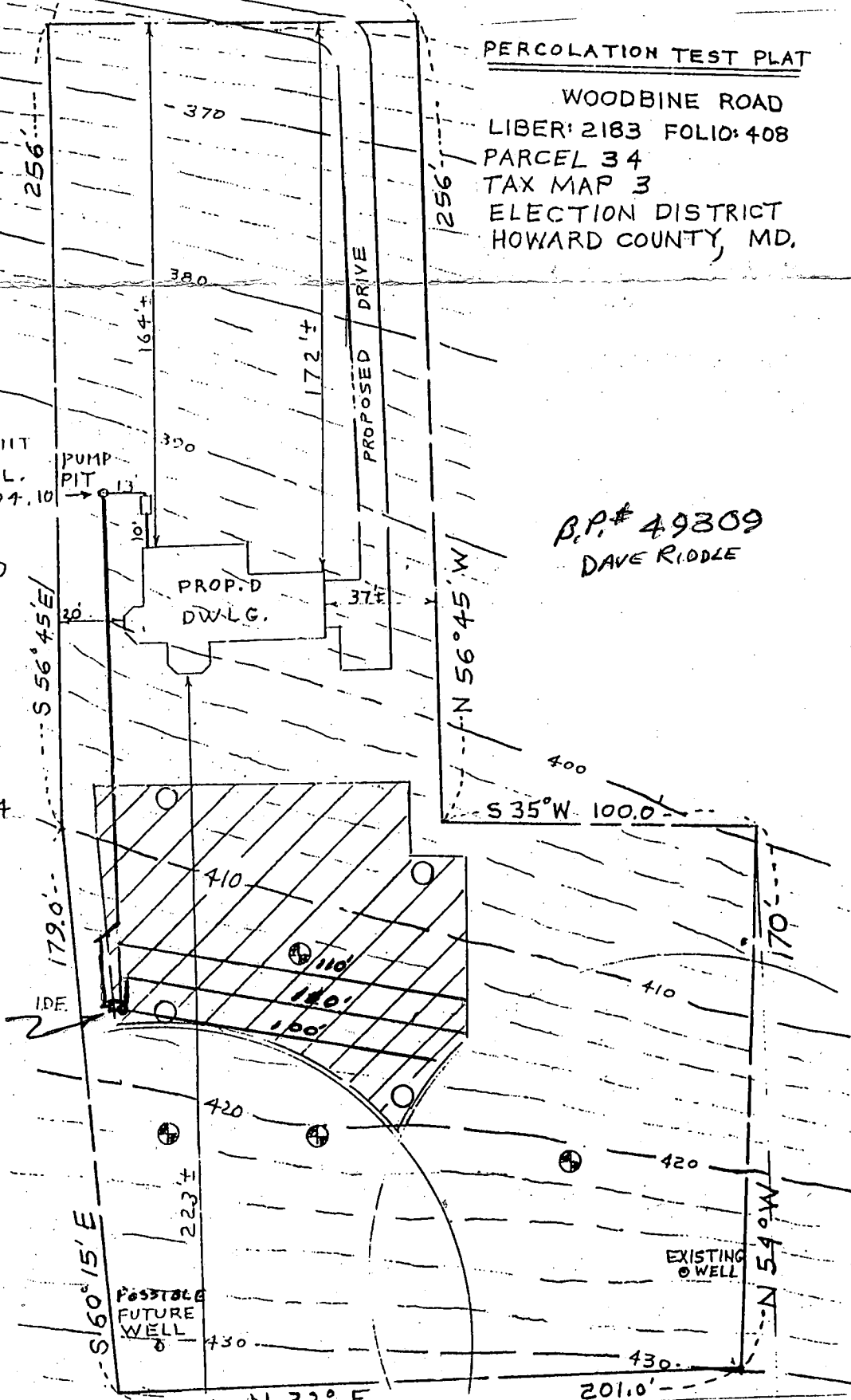
80 FT. PER BEDROOM
4 BEDROOMS

Total Trench length
320 FT. by 3 FT. WIDE

DIST. BOX



William E. Doyle



This area designates a private sewage easement of 8,000 square feet as required by the Maryland State Department of Health and Mental Hygiene for individual sewage disposal. Improvements of any nature in this area are restricted until public sewage is available. These easements shall become null and void upon connection to a public sewage system. The County Health Officer shall have the authority to grant variances for encroachments into the private sewage easement. Recordation of a modified sewage easement shall not be necessary.

Percolation test holes shown hereon have been field located and shown as "⊕".

The lots shown hereon comply with the minimum ownership width and lot areas as required by the Maryland State Department of Health and Mental Hygiene.

Percolation areas and water wells for adjoining lots have been shown where pertinent.

APPROVED: For Private Water and Private Sewage Systems
 [Signature] 6-23-73
 County Health Officer Date

98 JUN 21 12 12 PM '93

William E. Doyle

500 FT. ± to
MD. ROUTE 94

LAND SURVEYOR 8440

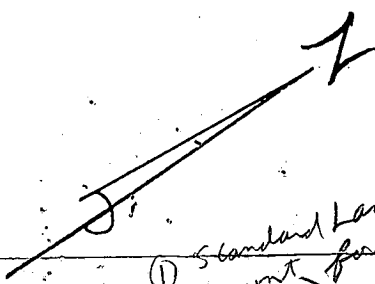
5312 EMERALD DRIVE SYKESVILLE, MARYLAND 21784 PHONE (301) 795-2210

GRAVEL DRIVE, S 35° W 120.0'

PLOT PLAN

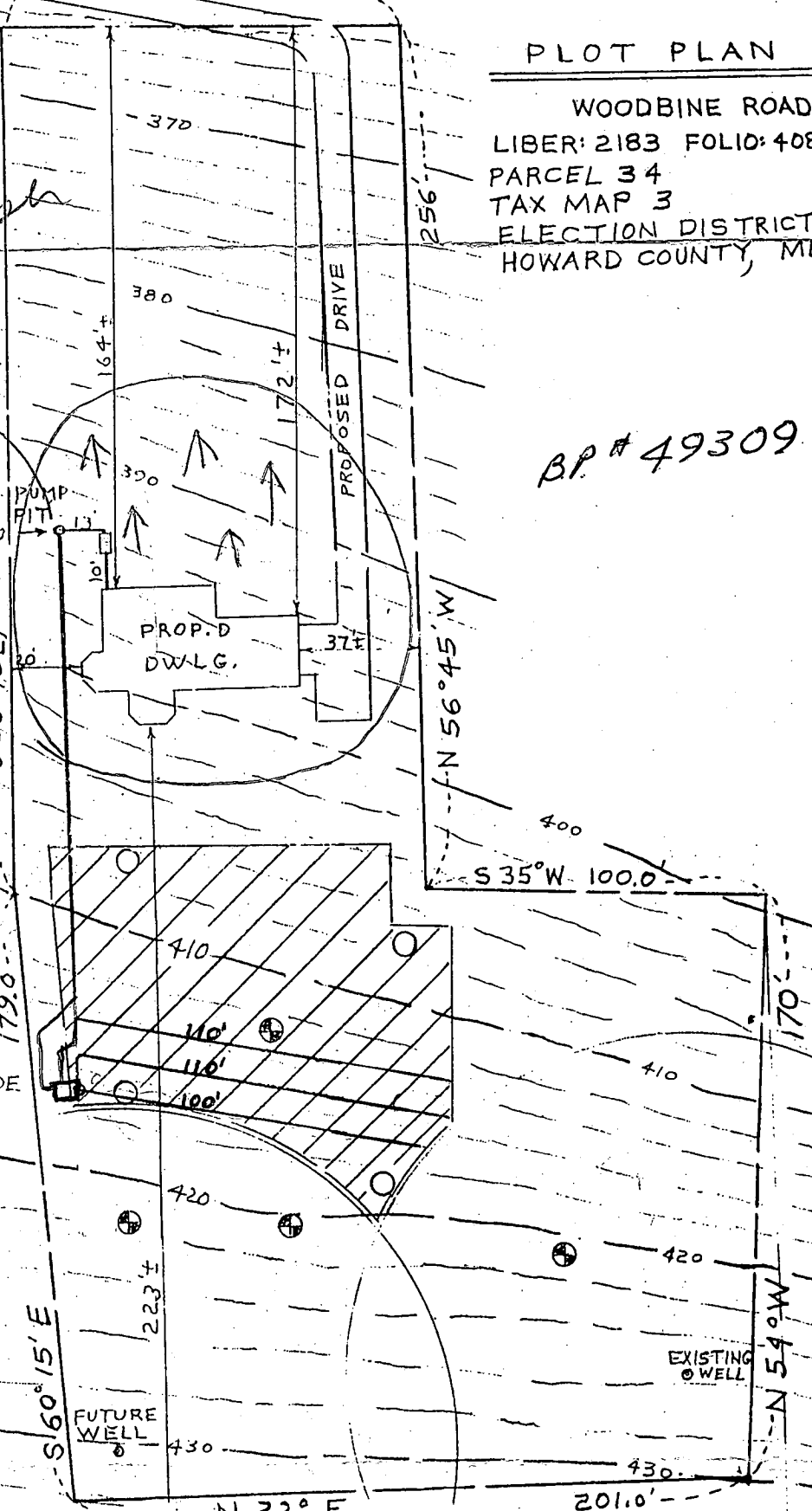
WOODBINE ROAD
LIBER: 2183 FOLIO: 408
PARCEL 34
TAX MAP 3
ELECTION DISTRICT
HOWARD COUNTY, MD.

BP # 49309



① Standard Language
statement for permit application

SINGLE EFFLUENT PUMP
1000 GAL.
ELEV=394.10



⊕ - DENOTES, PERC. HOLE FOUND

○ - DENOTES, PERC. HOLE PER HEALTH DEPT. NOTES

SCALE: 1" = 50'

DRAWN: JUNE 18, 1993

FILE NO. 925-4

② TRENCH LENGTH

80 FT. PER BEDROOM

4 BEDROOMS

TOTAL TRENCH LENGTH = 320 FT. by 3 FT. WIDE



William E. Doyle

6/24/93

PLANS REJECTED
MUST CALL ENGINEER
ABOUT DETAILS THAT NEED
TO BE CORRECTED

WED

EXIST, GRN. AT DISTR. BOX	417.00
INV. IN DISTR. BOX	415.50
INV. OUT OF SEPTIC TANK	394.40
INV. INTO SEPTIC TANK	394.80
INV. OUT OF DWELLING	395.00
FIRST FLOOR ELEV.	405.00
CELLAR ELEV.	396.00
WELL ELEV.	425.70
NO. OF BEDROOMS	4
ACREAGE	

I CERTIFY THE ABOVE MEASUREMENTS AND ELEVATIONS ARE ACTUAL AND CORRECT FOR THIS PROPERTY

signed *William E. Doyle*

~~SCOTT~~
REPLACEMENT WELL SITE INSPECTION

OWNER DAVE RIDDLE
 ADDRESS 421 WOODBINE RD

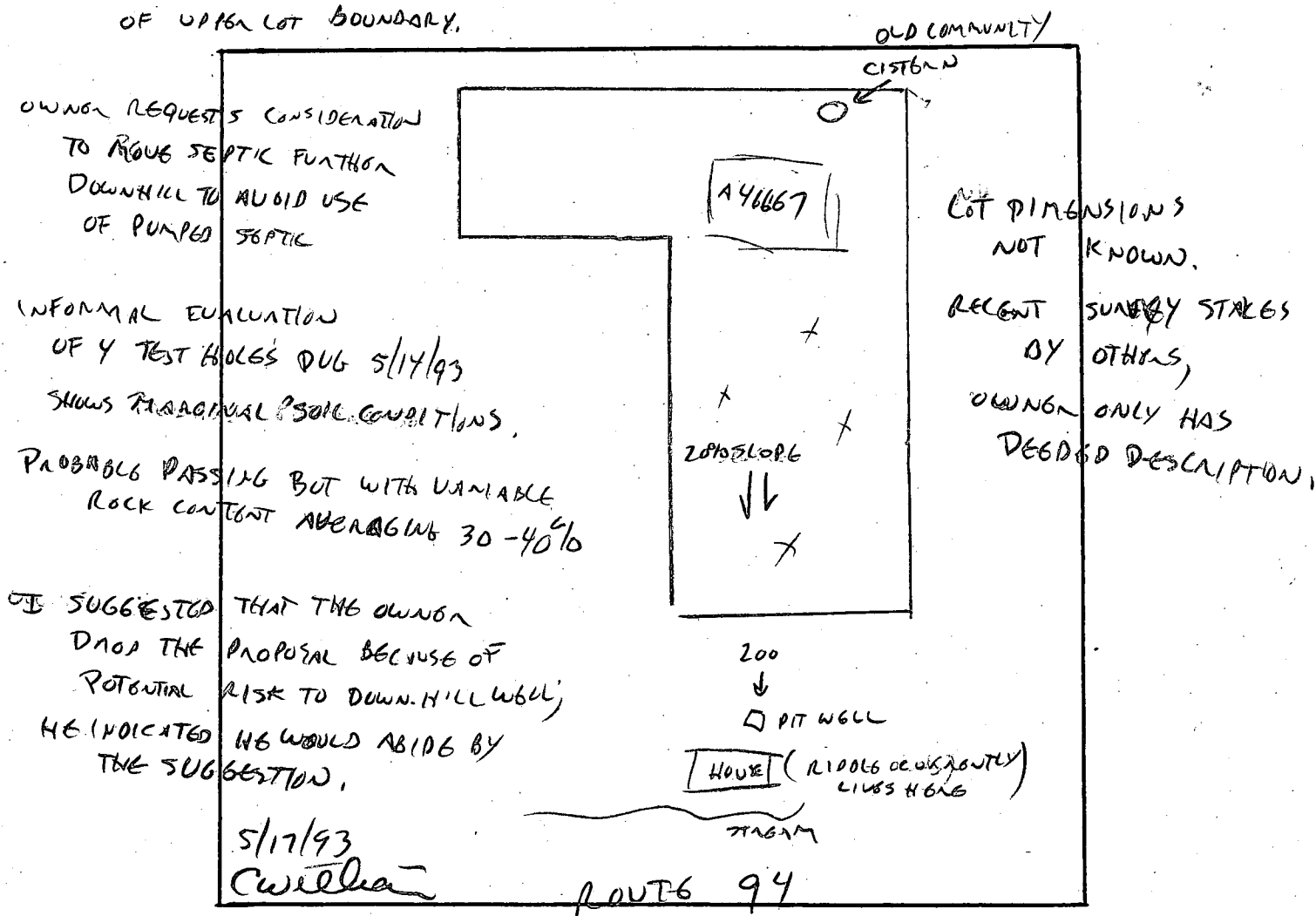
DATE REQUESTED 5/14/93
~~CONTRACTOR~~
 DRILLER ARNOLD

~~WELL TAG#~~

 COUNTY# 41667

PARCEL 34
 CURRENTLY HAS PASSED PERM (NO PLAN)
 (41667) WITHIN APPROX. 120'
 OF UPPER LOT BOUNDARY.

LOCATION DIAGRAM



COMMENTS:

1200
 1550
 150

ATTN: LUDIG

PUMP OK
FOR RIDALL SEPTIC
ROUTE 94
7/21/93
CANDLER
HOW. CO.
HEALTH.



Approved Septic System Plan
Howard County Health Department

Goulds Submersible Effluent Pumps

MODEL 

3885



ETL LISTED
SUBMERSIBLE
PUMP
CLASS I AND II DIV. 2 AND
CLASS III DIV. 1 AND 2

ETL LABORATORIES, INC.
ORLANDO, FLORIDA 32837

APPLICATIONS

Specifically designed for the following uses:

- Homes
- Farms
- Trailer Courts
- Motels
- Schools
- Hospitals
- Industry
- Effluent Systems

SPECIFICATIONS

Pump:

- Solids Handling Capabilities: 3/4" Maximum
- Discharge size: 2" NPT
- Capacities: Up to 114 GPM
- Total Heads: Up to 123 Feet TDH
- Mechanical Seal: Carbon-Rotary Seal/Ceramic-Stationary Seat
300 Series Stainless Steel Metal Parts BUNA-N Elastomers
- Temperature: 160°F (71°C) Maximum
- Fasteners: 300 Series Stainless Steel
- Capable of Running Dry Without Damage to Components

Motor:

- Single Phase: 1/2 HP, 115 or 230V 60 Hz, 1750 RPM
1/2 HP, 115V, 60 Hz, 3500 RPM
1/2 HP thru 1 1/2 HP, 230V, 60 Hz, 3500 RPM
Built-in overload with automatic reset
Class B insulation
- Three Phase: 1/2 HP thru 1 1/2 HP
208/230V, 460V, 60 Hz, 3500 RPM
Class B Insulation, overload protection must be provided in starter unit
- Shaft: Threaded, 400 series stainless steel.
- Bearings: Ball bearings upper and lower
- Power Cord: 15 foot standard length (optional lengths available)
Single Phase: 1/2 and 1/2 HP-16/3 SJTO with three prong plug.
3/4 thru 1 1/2 HP-14/3 STO with bare leads
Three Phase: 1/2 thru 1 1/2 HP-14/4 STO with bare leads
On CSA listed models — 20' length SJTW and STW are standard.

FEATURES

Impeller: Cast iron, semi-open, non-clog with pump-out vanes for mechanical seal protection. Balanced for smooth operation. Bronze impeller available as an option.

Casing: Cast iron volute type for maximum efficiency. 2" NPT discharge adaptable for slide rail systems.

Mechanical Seal: Ceramic vs carbon sealing faces. Stainless steel metal parts, BUNA-N elastomers.

Shaft: Corrosion-resistant stainless steel. Threaded design. Locknut on three phase models to guard against component damage on accidental reverse rotation.

Motor: Fully submerged in high-grade turbine oil for lubrication and efficient heat transfer.

Designed for Continuous Operation: Pump ratings are within the motor manufacturer's recommended working limits, can be operated continuously without damage.

Bearings: Upper and Lower heavy duty ball-bearing construction.

Power Cable: Severe duty rated, oil and water resistant. Epoxy seal on motor-end provides secondary moisture barrier in case of outer jacket damage and to prevent oil wicking.

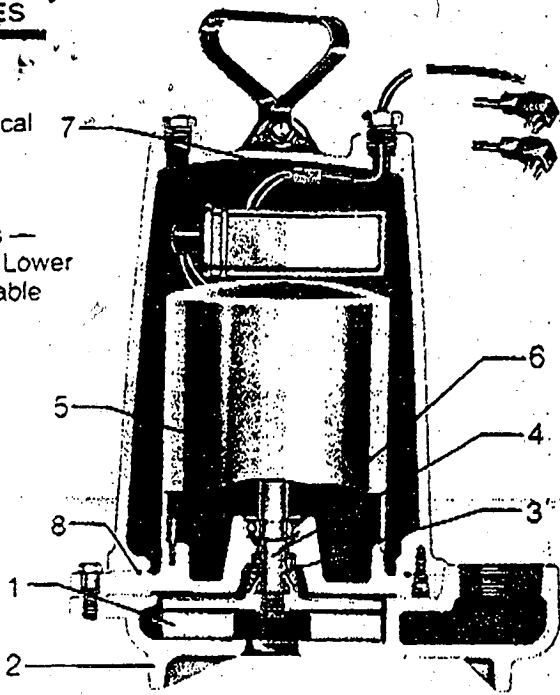
O-Ring: Assures positive sealing against contaminants and oil leakage.

Signature

Date

FIGURES

1. Impeller
2. Casing
3. Mechanical Seal
4. Shaft
5. Motor
6. Bearings — Upper & Lower
7. Power cable
8. O-Ring



Goulds Submersible Effluent Pumps

MODEL

3885

MODELS

Series	HP	Volts	Phase	Max. Amp.	RPM	Solids	WI.
WE0311L		115		9.4			
WE0312L		230		4.7			
WE0311M	1/4	115	1	9.4	1750		56
WE0312M		230		4.7			
WE0511HH		115		13.0			
WE0512H		230		6.5			
WE0532H		208/230	3	3.4			
WE0534H		460		1.7			
WE0511HH	1/2	115	1	13.0			60
WE0512HH		230		6.5			
WE0532HH		208/230	3	3.3			
WE0534HH		460		1.65			
WE0712H		230	1	10.0		3/4"	
WE0732H	3/4	208/230	3	5.4	3500		
WE0734H		460		2.7			
WE1012H		230	1	12.5			70
WE1032H	1	208/230	3	7.0			
WE1034H		460		3.5			
WE1512H		230	1	15.0			
WE1532H		208/230	3	9.2			
WE1534H		460		4.6			
WE1512HH	1 1/2	230	1	15.0			80
WE1532HH		208/230	3	9.2			
WE1534HH		460		4.6			

PERFORMANCE RATINGS (Gallons Per Minute)

Series No.	WE0311M				WE0511M			
	WE0311L	WE0311M	WE0312M	WE0312L	WE0511H	WE0512H	WE0512M	WE0512L
HP	1/4	1/4	1/4	1/4	1	1 1/2	1 1/2	1 1/2
RPM	1750	1750	3500	3500	3500	3500	3500	3500
5	100	70	80	90	106	—	60	—
10	80	65	76	87	102	112	56	84
15	60	57	72	84	100	108	53	82
20	46	45	65	79	95	105	48	77
25	—	25	59	74	91	100	45	75
30	—	—	50	67	85	96	40	72
35	—	—	40	61	79	92	35	70
40	—	—	26	52	72	86	30	67
45	—	—	10	43	64	80	25	64
50	—	—	—	30	54	73	18	60
55	—	—	—	17	42	65	12	58
60	—	—	—	8	30	54	3	54
65	—	—	—	—	16	40	—	51
70	—	—	—	—	5	26	—	47
75	—	—	—	—	—	14	—	43
80	—	—	—	—	—	4	—	40
90	—	—	—	—	—	—	—	33
100	—	—	—	—	—	—	—	24
110	—	—	—	—	—	—	—	15
120	—	—	—	—	—	—	—	5

Total Head Feet of Water

EFFLUENT EJECTOR SYSTEM

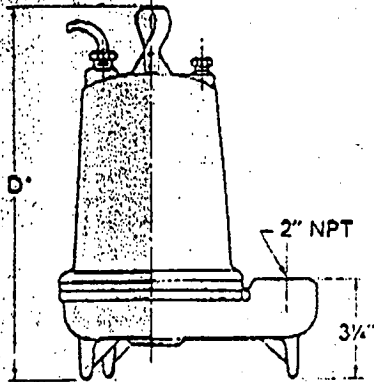
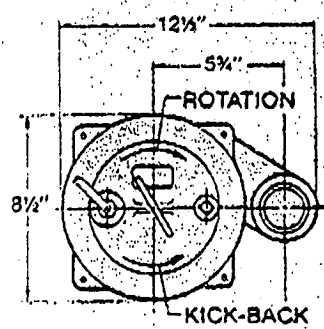
Effluent ejector system offers ease of ordering and installation. A single ordering number specifies a complete system designed for most residential and commercial sump and effluent pump applications.



Package Includes:
 Submersible Effluent Pump, WE0311L, 12L or WE0311M, 12M, WE0511HH, 12HH Mercury Level Control Switch A2-5 (115V), A2-6 (230V) Basin A7-1801S Basin Cover A8-1822 Check Valve A9-2P Order No.: SWE0311L, SWE0312L, SWE0311M, SWE0312M, SWE0511HH, SWE0512HH.

DIMENSIONS

(All dimensions in inches)
 (Do not use for construction purposes.)



D° 1/4, 1/2, 3/4 and 1 HP = 15" except for model WE0712H & WE1012H = 18"; 1 1/2 HP = 18"

Available Certifications: Canadian Standards Association Testing Laboratories



